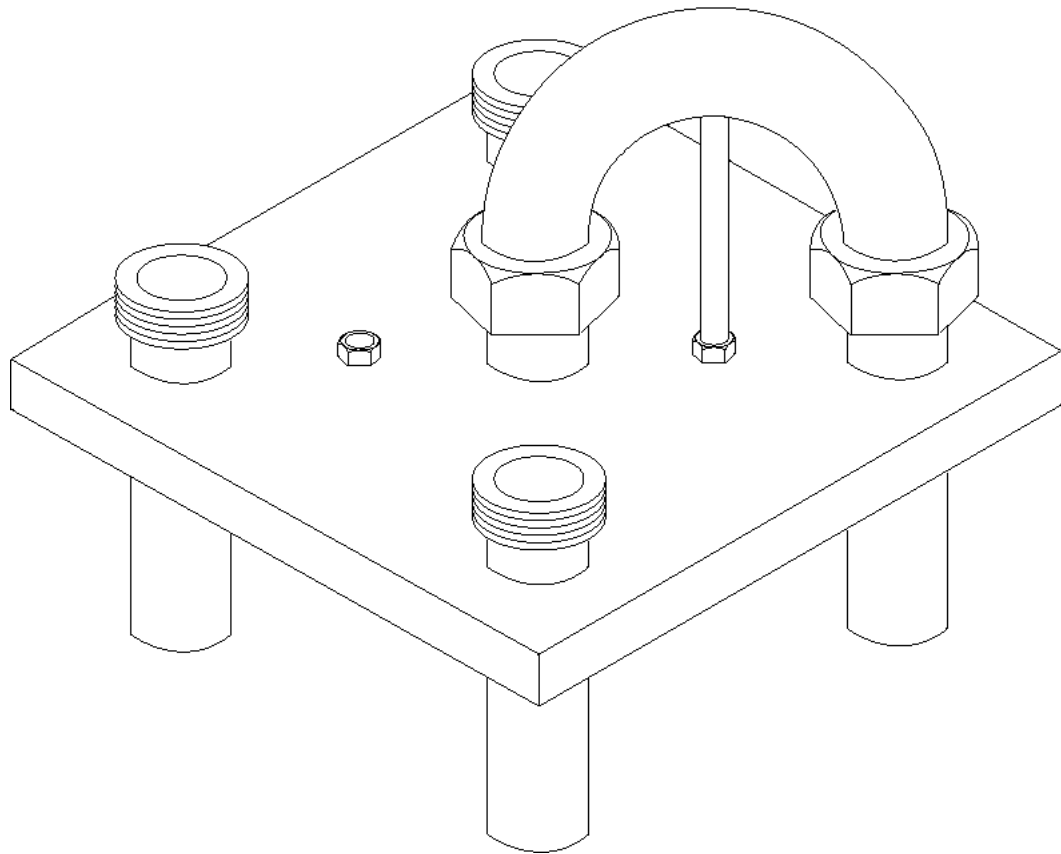


## Transverter Panels



*Thomsen* Tranverters offer users a low-cost, highly efficient means of manually changing product flow where length of runs or conditions do not warrant investment in automatic air valves. Tranverter panels permit change-overs in just one minute. They offer a choice of J.P., Acme, clamp type, or D.C. connections.

With the addition of stainless steel proximity switches, the panels offer far more versatility, safety and convenience. Users can utilize the switches to operate warning or signal lights for pumps or valves. Signal can be used to indicate which tank or line is being used...to guard against contamination.

Proximity switches are threaded-type with a nominal detection range of 3/16". They will operate in temperatures from -13° to 176°F., and on AC or DC voltages from 20 to 250. The probe is mounted on the panel's return bend, and the switch in the body of the panel. Since no contact is needed between switch and probe, the swing of the return is not restricted. Switches can be included for every station on the panel, or only on specified stations.