

Introducing...

Innovative solutions in sanitary heat transfer automation...

EZ and TT Series

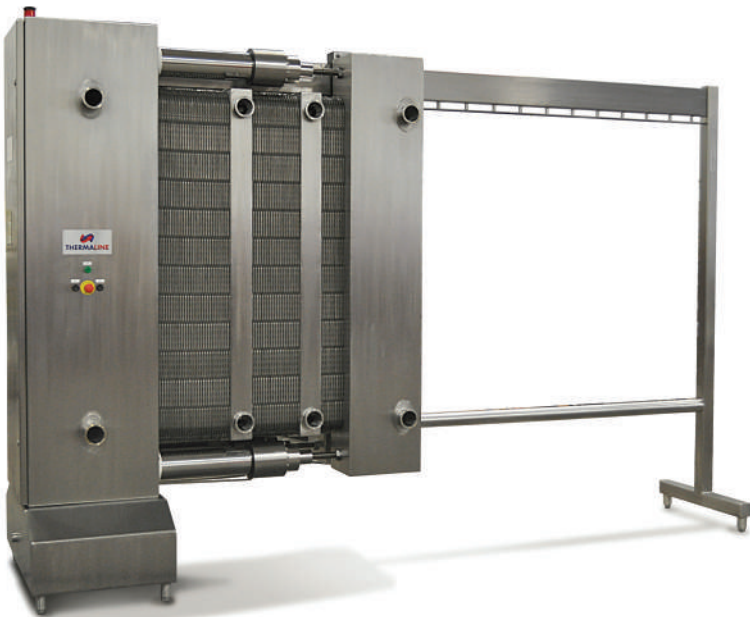
A U T O M A T E D H E A T E X C H A N G E R F R A M E S

The EZ and TT Series frames from Thermaline take a simplistic approach to automated frame closures by utilizing the smooth yet powerful action of hydraulic cylinders in lieu of cumbersome, maintenance-prone chain drives and PLC's. The EZ and TT Series frames are self-contained, easy to use, and safe guard your plate pack from over-compression.

- 3-A Compliant Sanitary frames – All frames are built to 3-A sanitary standards 11-09.
- Construction – Frames are built standard with 304 SS clad and options available for 316 SS, AL6XN or Titanium product contact surfaces.
- Finish – The frame is a #4 brushed polish and product contact surfaces are polished to a 32Ra.
- Nozzles – Both the stationary and moveable head fluid connections are on the sides of the heat exchanger allowing for a symmetrical installation and ease of opening.

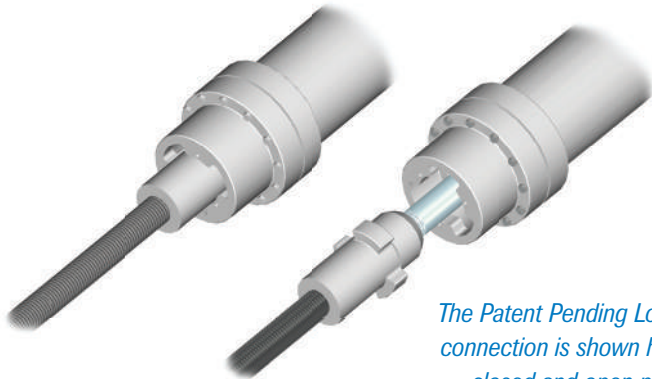
“Tag Team”

TT Series frames open the door to new opportunities. Does your process need attention during run time to clear fouling or plugging? Is the process so critical a plate failure will bring your entire plant to its knees? Do you have two different applications that require automated frame closures? The TT frame can house two independent processes in the same frame sharing drive components and structure while slashing the cost vs. two complete independent frames.

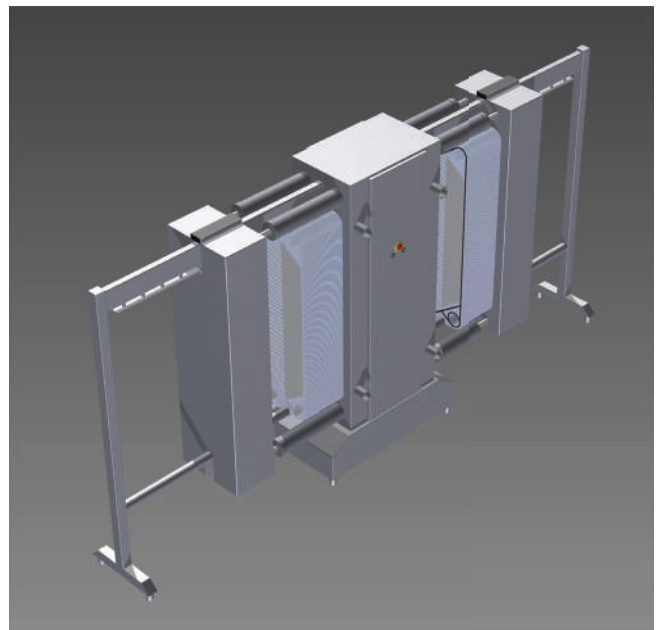


Lock-Solid

Thermaline automated frames utilize a patent pending twist lock system to secure the heat exchanger in the closed position. The force generated internally from operating the heat exchanger is now transmitted through the Lock-Solid™ system, mechanically holding the unit closed.



The Patent Pending Lock-Solid™ connection is shown here in the closed and open position.



Adaptability

The EZ and TT frames are available to fit most popular models of plates, allowing you to use your existing plate pack and enjoy the benefits of Thermaline automation.

Various Sizes to Fit your Needs

The EZ and TT Series frames are available in a variety of plate sizes. A comprehensive range allows our engineering team to optimize performance without taking a “one size fits all” approach, ultimately saving on your investment and improving your process.

Model	Max Flow Rate (GPM)	Frame Plate Capacity*	Max Operating Pressure	Max Temp (°F)	Frame Voltage
T13	150	250	100	300	120
T20	200	250	100	300	120
T28	500	350	100	300	120
T50	800	750	100	300	208/480
T75	1000	500	100	300	208/480

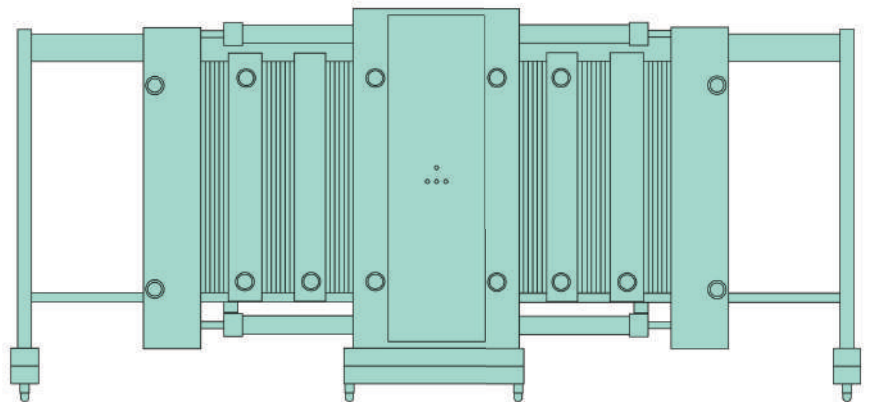
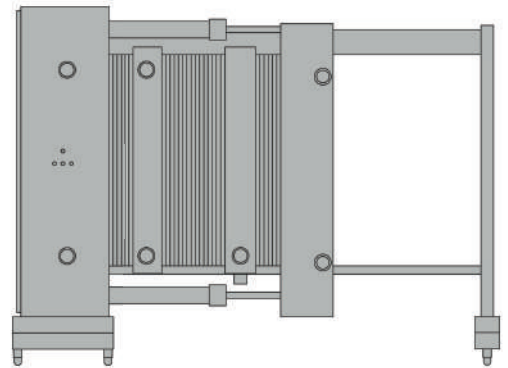
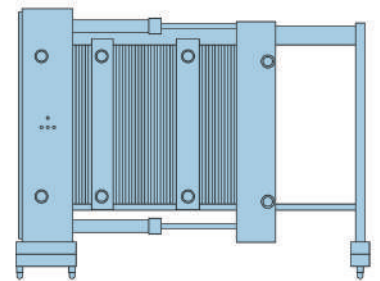
*Double these numbers to calculate TT frame capacity

Easy as 1-2-3

Operational simplicity and peace of mind! Operating the TT and EZ Series frames is easy as 1-2-3:

1. Arm the unit
2. Twist the Lock-Solid™ locks
3. Press and hold the open button

That's it! You can now service the plate pack. Reverse the process and the unit will return to the pre-set dimension. Twist the Lock-Solid™ locks and you are ready to go.



1531 14th St. NW, Auburn, WA 98001

Toll Free 1.800.767.6720 ■ Phone 253.833.7118 ■ Fax 253.833.7168

www.thermaline.com