

## JTRGR 方形高剪切乳化罐 Square High Shear Emulsification Tank

方形高剪切乳化罐严格遵循《药品生产质量管理规范》GMP总则(2010年修订)第三十一、三十二条要求,并按《压力容器》

(GB150—2011)、《钢制焊接压力容器(附标准释义)》(NB/T 47003.1—2009)要求进行设计、制造及验收。

方形高剪切乳化罐采用高速叶轮底部搅拌装置,对生产中的糖、奶粉、胶类添加剂具有良好的溶解乳化作用,是目前乳化罐产品中生产效率最高的产品。

方形高剪切乳化罐采用方形单层罐体,罐体内壁过渡段均采用圆弧过渡,无卫生死角,易清洗。

方形高剪切乳化罐的罐体和下封头根据客户要求可设有保温层。

JTRGR Square High Shear Emulsification Tank is designed, manufactured and inspected in accordance with the pressure vessel standard (GB150—2011) and the steel welded atmospheric pressure vessel standard (NB/T 47003.1—2009), strictly meeting to GMP certificate requirements.

The square High Emulsification Tank is the most efficient product. Using the high speed Agitator at the bottom, it can completely dissolve and emulsify the sugar, milk powder, and gummy additives.



Square High Shear Emulsification Tank use square single layer stainless steel, and the inner wall of the tank body is made of circular transition, no dead corner, easy to clean; and the bottom with mechanical emulsification.

Tank body and bottom head of Square High Shear Emulsification Tank can be equipped with an insulation layer according to the customers' requirements.

### 产品特点

- 容积有600L~5000L等多种规格,可根据客户实际需求进行设计、制造。
- 接口采用快装卡盘式(卡接),罐体内胆选用304或316L,内表面镜面抛光 $Ra \leq 0.28 \mu m \sim 0.6 \mu m$ ,外表面可根据客户要求可进行抛光、拉丝、喷砂等。
- 方形高剪切乳化罐采用底部机械乳化,采用爪式咬合、双和吸料结构,避免了上部物料难以吸入造成的死角和漩涡现象;高速搅拌乳化,可适合不同混合液和混合物的混合、分散、乳化、均质。
- 乳化轴的密封采用卫生级机械密封,乳化电机可采用摆线针轮减速机、无级变速减速机,根据客户要求进行选择,多采用变频调速。

### Feature

- High Shear Emulsification Tank has 600L and 5000L, and other specifications, according to the requirement of customers.
- Connector use fast installation chuck (clamp), inner tank use SS304 or SS316L, the inner surface mirror polishing  $Ra \leq 0.28 \mu m \sim 0.6 \mu m$ , outer surface can be polishing, wire drawing, sandblasting according to customer's requirement.
- Square High Shear Emulsification Tank use mechanical emulsification at bottom, adopting claw type occlusion, double suck material structure. High speed mixing and emulsification is suitable for different mixture, mixing, dispersion, emulsification, homogenization.
- Emulsification shaft seal uses sanitary mechanical seal, emulsification motor can use planet-cycloid retarder, stepless reducer according to the customers' requirements.



### 罐体可选配置

方形高剪切乳化罐的罐体可选配置无菌空气过滤器、温度计(数显式或表盘式)、视镜、卫生级人孔、进出液孔、CIP万向旋转清洗球、无菌取样阀(不锈钢罐底)、液位计及液位自控系统(承重模块、无触点超声波、静压变送式器等), 或根据客户要求配置。

### Tank Optional Configuration

Square High Shear Emulsification Tank optional configuration: sterile air filter, thermometer (digital display type or dial), sight glasses, sanitary manhole, in-outlet, CIP universal rotating cleaning ball, sterile sampling valve (stainless steel tank bottom), the liquid level meter and liquid level self-control system (bearing module, non-contact ultrasonic, static pressure transmitting device), etc., or configured according to customers' requirements.

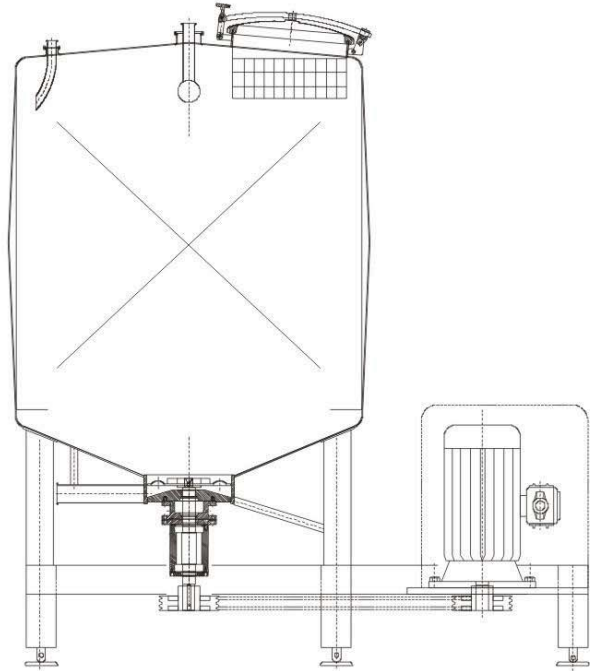
### 典型的应用

适用于食(乳)品、饮料、生物工程、制药、精细化工、颜料等行业, 混合液和混合物在罐内进行充分迅速混合、分散、乳化、均质。

### Application

Suitable for food (milk), beverage, biotechnology, pharmaceutical, fine chemicals, pigment etc. mixed liquid and mixture in the tank is full and rapid mixing, dispersion, emulsification, homogenization.

### 常规结构 Structure



### 常规设计参数 Design Parameter

设计压力 Design pressure	常压 ( ATM )
设计温度 Design temperature	罐体、夹套按客户要求(0°C ~ 160°C)

### 连接 Connection

进出口 In-outlet	快装卡接、法兰 Tri-clamp, Flange
---------------	---------------------------

### 材料 Material

内胆 Liner	304、316L
夹套 Jacket	304
保温层 Insulation	岩棉或聚氨酯 Rock wool or PU
支腿等 Legs	304

### 表面处理 Surface Finish

处理类型 Finish type	机械抛光、电解抛光、喷砂 Mechanical/electrolytic polishing, sand blasting
抛光精度 Polishing precision	内壁0.4 μm, 外壁0.6 μm Inner surface Ra ≤ 0.4 μm, Outside surface Ra ≤ 0.6 μm

### 方形高剪切乳化罐常规型号及主要技术参数 Normal Model And Main Technical Parameters

参数 Parameters	型号 Model	JTRGR-1000	JTRGR-2000	JTRGR-3000	JTRGR-4000
有效容积 Effective volume (L)		1000	2000	3000	4000
罐体 Tank	直径 Diameter (mm)	1100	1300	1450	1600
	高度 Height (mm)	800	1200	1400	1500
乳化 Emulsification	电机功率 Power (kW)	18.5	22	30	37
	乳化转速 RPM (r/min)	1500			

上表数据为标准型, 仅供参考, 可根据客户要求定制;  
The above-mentioned data is the standard, it can customize according to customer's requirements.