

**PLUG, IN-LINE**

**Part No.** ME 432P3W-2175

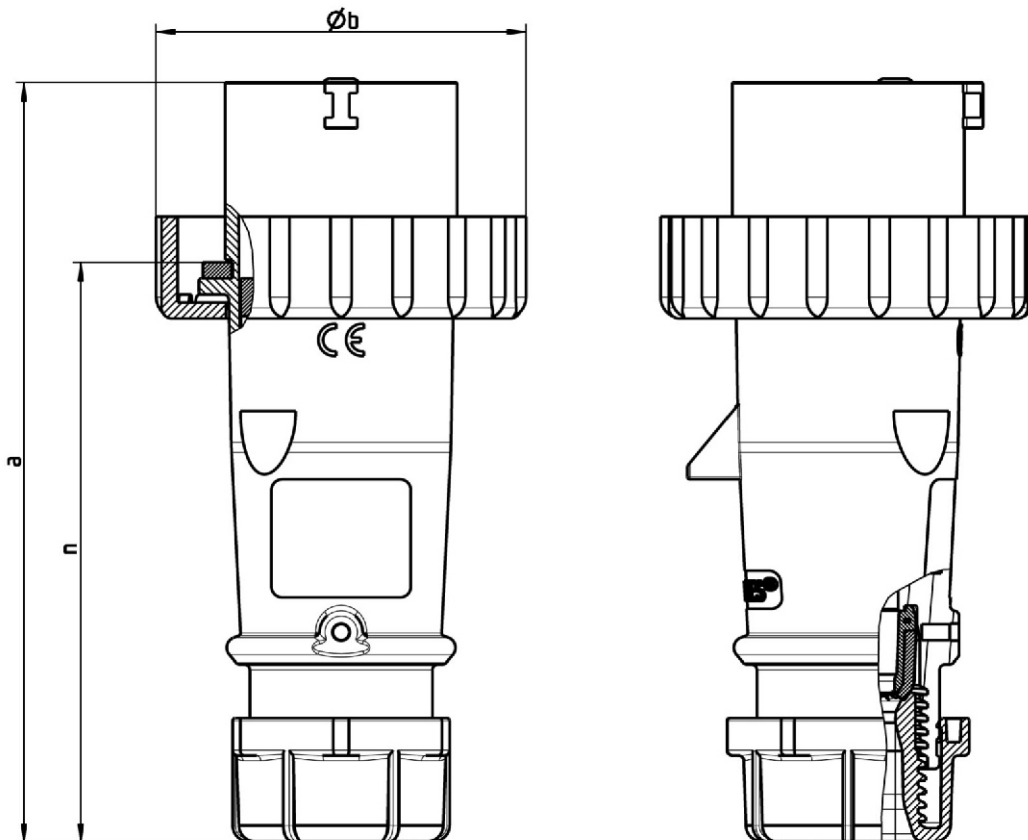
**Description:** 32 Amp, 3 Phase, 4W, 400-440Vac Plug

**Construction:** Watertight IEC IP 67

**Approvals:** UL Listed Standards 1682; 1686  
Bureau Veritas; Lloyd's Register; Germanischer Lloyd  
IEC 60309-1; IEC 60309-2

**IEC COLOR CODE:** Red

**GROUND PIN:** 9 Hour Position Mates with Female in 3 Hour Position for Refrigerated Container Usage

**Dimensions**

	mm	INCHES
a	186	7.32"
b	94	3.70"
n	145	5.71"

Wire Range: 2.5mm<sup>2</sup> - 6 mm<sup>2</sup>  
Cord Range: 11mm - 22mm  
Strip Length Jacket: 50mm  
Strip Length Conductor: 14mm

Drawing Not to Scale