



## PIN & SLEEVE INTERLOCKED RECEPTACLE

### READ BEFORE INSTALLING ANY DEVICE

**WARNING:** TURN OFF ALL POWER SUPPLIES TO RECEPTACLE BEFORE INSTALLING OR SERVICING.

**NOTICE:** Suitable for use on a circuit capable of delivering not more than 10,000 RMS symmetrical amperes at the voltage rating of the receptacle.

**NOTICE:** Separate overcurrent protection must be provided.

**NOTICE:** USE COPPER CONDUCTORS ONLY with a 75° min. insulation rating.

**CAUTION:** UNIT IS NOT GROUNDED. Hubs entering the enclosure must be electrically connected to a grounding terminal block.

### INFORMATION

Units feature a pin & sleeve receptacle prewired to a load rated disconnect switch. The receptacle is interlocked requiring the switch to be in the OFF position to insert or remove a like rated plug. The enclosure is rated NEMA 4X;12 for both indoor and outdoor use. The switch handle has a padlock provision as a method of compliance to OSHA Lockout Tagout Regulations.

### TO REMOVE OR REPLACE COVER

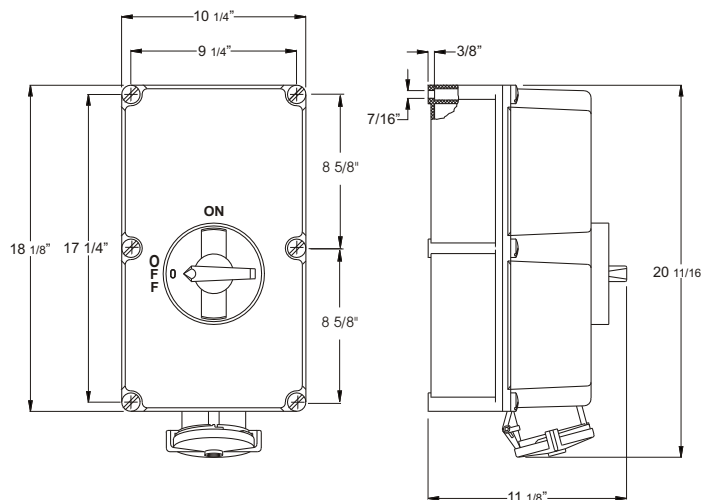
Fully loosen screws (do not remove) located in four corners of cover. Pull top of cover away from bottom box and slide down. To replace cover, reverse above procedure. Slight wiggle of cover and switch handle may be needed to position cover.

**DO NOT FORCE. SWITCH MUST BE IN OFF POSITION TO REPLACE COVER.**

### MOUNTING

- SEE DIAGRAMS BELOW for mounting dimensions.
- Mounting Holes are located at the bottom of the 6 large cover screw tubes.
- Screws recommended for direct mounting: 3/8".
- Mount unit on a secure flat vertical surface with the receptacle facing down.
- Tighten 6 cover screws 30 lb-in. DO NOT OVER TORQUE.

ANY ALTERATION TO ENCLOSURE WILL VOID NEMA 4X; 12 RATING

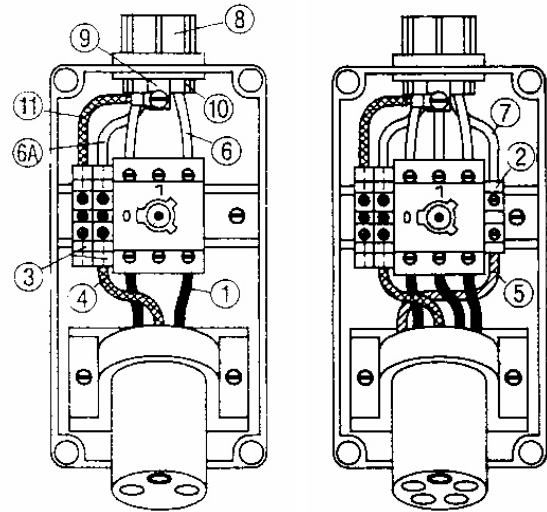


**SEE SEPARATE  
CONDUIT  
CONNECTION AND  
GROUNDING**

# COMPONENT LIST & WIRING DIAGRAMS

## Factory Installed:

1. Receptacle pre-wired to switch.
2. Neutral (blue) terminal block (Diagrams I, IV, V Below)
3. Two grounding terminal blocks. (green/yellow)
4. Receptacle ground wire. (green/yellow)
5. Neutral (blue) wire. (Diagrams I, IV, V Below)



## Customer Provided & Installed:

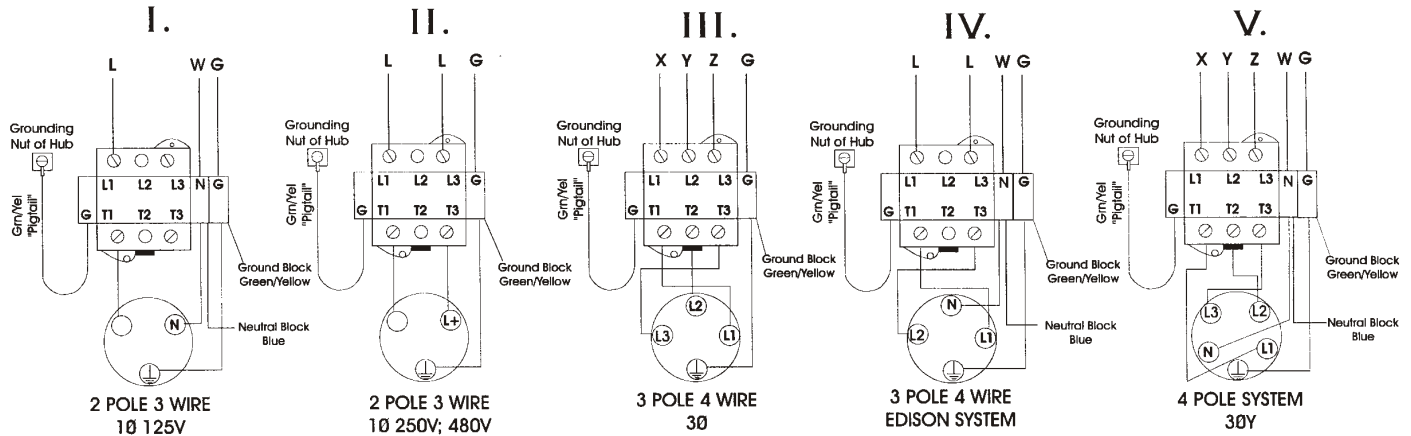
6. Phase conductors and (6A) equipment grounding if present.
7. Neutral conductor if present.

## Grounding & Hub Kit:

Requires customer installation

- 8/9. Conduit hub/lock nut.
10. Ground nut.

## WIRING DIAGRAMS REFER TO RECEPTACLE RATING OF UNIT



## TERMINAL SPECIFICATION

|                |              |
|----------------|--------------|
| PHASE          | #6 TO #2 AWG |
| NEUTRAL/GROUND | #2 TO #6 AWG |
| AUXILIARY      | #12 AWG      |

## TORQUE

|              |
|--------------|
| 27 in.-lb.   |
| 17.5 in.-lb. |
| 15 in.-lb.   |

Specifications Subject to Change.

Copyright 2007 Mennekes Electronics, Inc.



MENNEKES Electrical Products  
277 Fairfield Road  
Fairfield, NJ 07004  
www.MENNEKES.com  
800-882-7584