

E**MARINE STEAM-IT ELECTRIC
PRESSURE COOKER**

JOB NAME: _____

ITEM NO.: _____

NO. REQUIRED: _____

MODELS

- SB-ST-E** - 3 pan electric marine pressure cooker, NSN approval number NSN 7310-01-102-2673

DESCRIPTION

Shall be a Market Forge Counter Model SB-ST-E Marine Electrically Operated Steam-It, 15 PSI 1.1kg/cm² Pressure Cooker on adjustable flanged feet.

Steam-It shall have a 3/16" 5mm aluminum welded seamless cooking compartment. Exterior finish shall be stainless steel. Door shall be self-sealing inside type which cannot be opened under pressure, 12 gauge stainless steel, removable for cleaning without tools. Door gasket shall be one piece molded, replaceable without tools or cement.

Unit cooking cycle shall be automatically controlled, requiring only the setting of 0-60 minute timer and the insertion of 5 qts. 4.7 liters of water into the cylinder. At the end of the cooking cycle, steam shall be exhausted from cooking compartment and a continuous audible signal shall sound. Unit shall include safety valve, a steam pressure gauge, exhaust valve silencer, low water cut-off, rinse and fill hose and drain connection, and shall be completely serviceable from the front.

STANDARD FEATURES

- (4) Flanged Feet
- Spray Hose
- (6) 12 x 20 x 2-1/2" Perforated Pans

OPERATION SHALL BE BY

Electrically operated Steam-It which shall be rated at 12KW and shall be equipped for operation at:

- 440-480 VAC, 3 Phase (Standard)

CAPACITY

Cooking compartment shall have a capacity of:

- (3) 12" x 20" x 2 1/2" Pans
- (2) 12" x 20" x 4" Pans

SHIPPING WEIGHT

- 175 lbs (79 kg)

**OPTIONS & ACCESSORIES
(at additional charge)****■ Pans & Covers**

- 12" x 20" pan cover
- 12" x 20" x 1" solid pan
- 12" x 20" x 1" perforated pan
- 12" x 20" x 2-1/2" solid pan
- 12" x 20" x 2-1/2" perforated pan
- 12" x 20" x 4" solid pan
- 12" x 20" x 4" perforated pan
- 12" x 20" x 6" solid pan
- 12" x 20" x 6" perforated pan

FOOD SERVICE EQUIPMENT
 Marine Steam-It Pressure Cooker

MARKET FORGE
 INDUSTRIES INC.


SERVICE CONNECTIONS

EC	Electrical Connection - Connection for incoming power supply wires on terminal block
EP	Power Supply - 1-1/4" threaded access hole for power supply wires. Use wire suitable for at least 90°C. Nominal amps per line.
D	Drain - 1/2" 13mm O.D. tubing. Air break required for drain connection supplied by others
CW	Cold Water - 3/8" 10mm O.D. tubing connection to fill hose. Cold water line shall have a max of 50 PSI 3.5kg/cm2 and a min of 25 PSI 1.7kg/cm2 water pressure
CG	Center of Gravity - with flanged feet

WATER SUPPLY

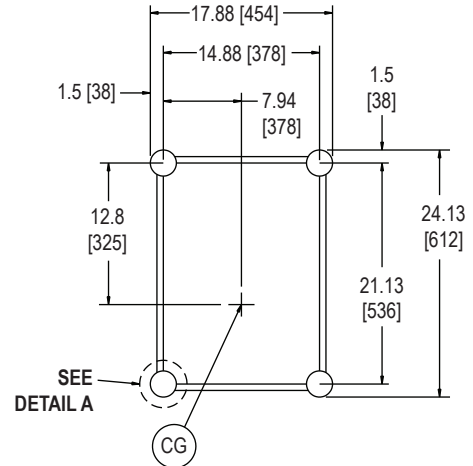
Good quality water feed is the responsibility of the owner. Water quality must be within the following general guidelines.

TDS: 40-125 ppm Hardness: 35-100 ppm Chlorine: <0.2 ppm
 Silica: <13 ppm Chlorides: <25 ppm
 Chloramine: <0.2 ppm pH: 7.0 - 8.5

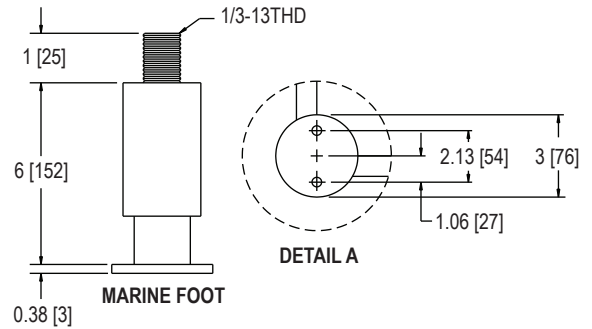
The best defense against poor water quality is a water treatment system designed to meet your water quality conditions.

Appliance to be installed with backflow protection according to federal, state or local codes.

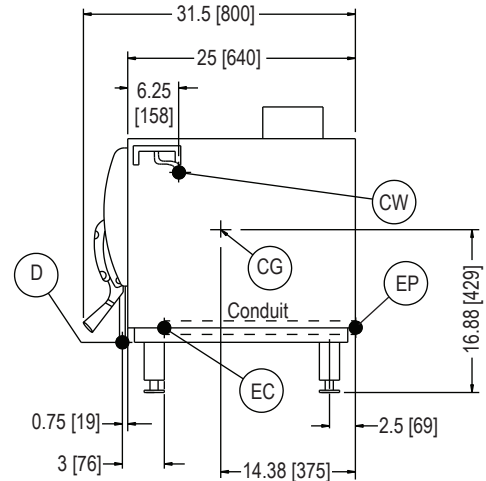
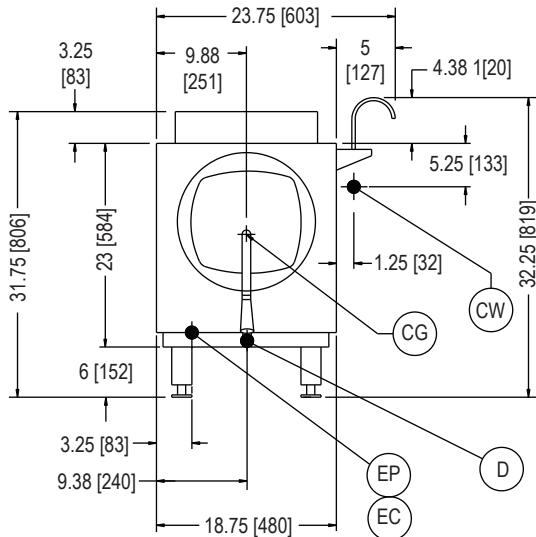
DIMENSIONS ARE IN INCHES [MM]



BOTTOM VIEW



DETAIL A



The manufacturer reserves the right to modify materials and specifications without notice.