

Eurostar HS

Mechanical level filler



Eurostar HS

Versatility and complete reliability

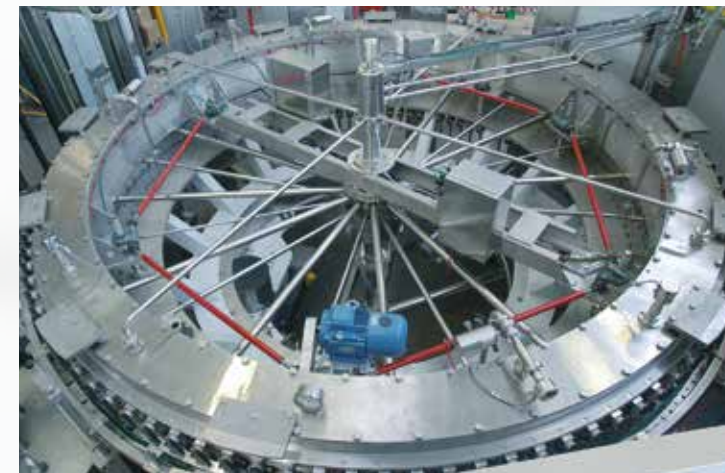
GREAT VERSATILITY IS THE HALLMARK OF THE EUROSTAR HS. THE MACHINE COMES IN BOTH GLASS AND PET BOTTLE VERSIONS AND IS DESIGNED TO FILL CARBONATED AND STILL BEVERAGES, BEER AND WINE.

Eurostar HS is based on proven technology guaranteeing reliability, high performance, product quality and easy sanitization. As the HS name suggests, this machine offers high-speed precision filling and, in the case of beer, minimal oxygen in the bottle.



Main features

- High performance
- Reliability due to simple, proven mechanics
- Flexibility: handles glass or plastic bottles
- Easy sanitization
- Hygienic
- Easy machine access
- User-friendly operation
- Can be attached to a rinser



Filling valve

SIMPLE DESIGN FOR EASY CLEANING AND MAINTENANCE

The mechanical filling valve has an extremely simple design with a limited number of components and gaskets. This guarantees easy sanitization and minimizes maintenance.

- The return springs are external, improving hygiene conditions and simplifying replacement
- The valve components can be dismantled independently, a maintenance advantage
- The interchangeable vent tubes are attached to the body of the valve ensuring rapid assembly and dismantling

FLEXIBILITY

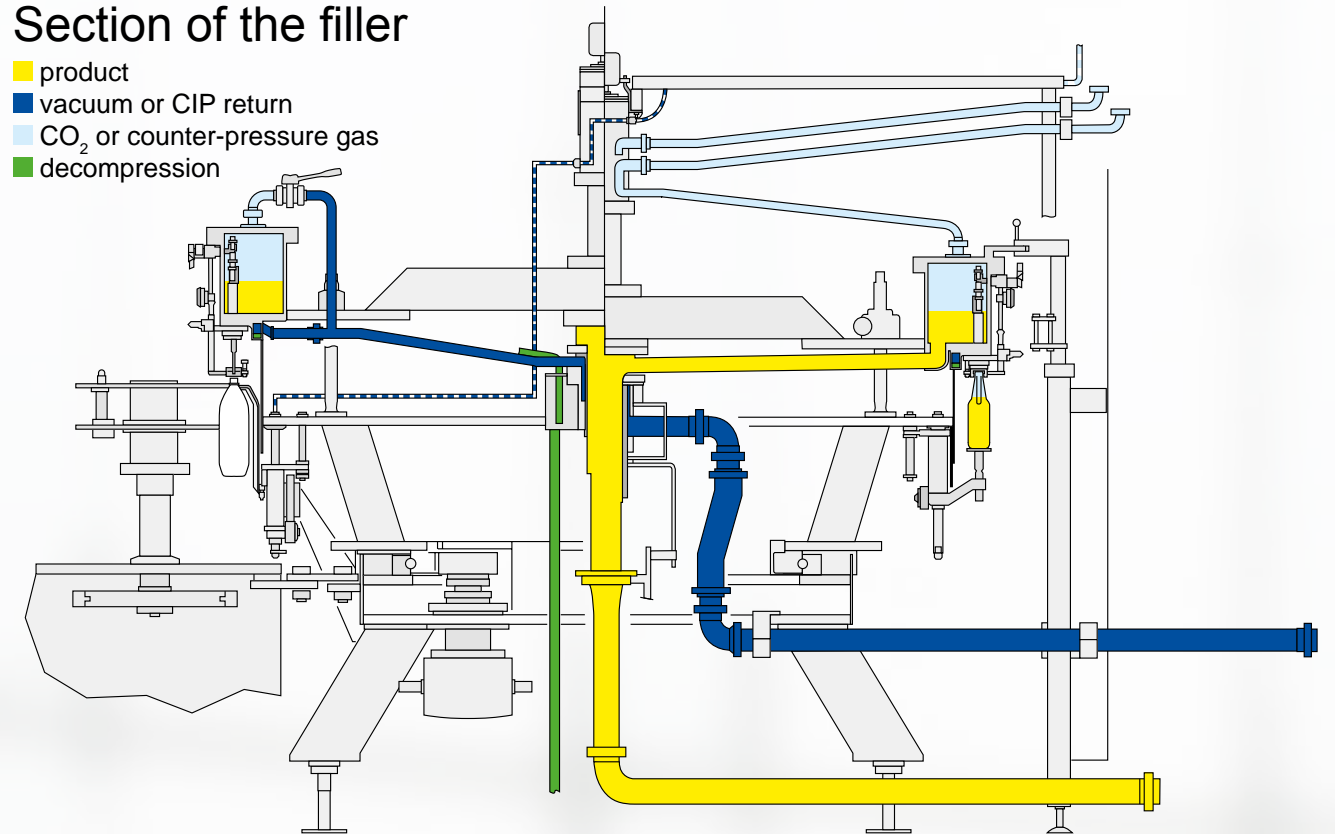
The Eurostar HS has a wide range of applications. In addition to beer, wine and carbonated beverages, still products can be filled at atmospheric pressure thanks to the special valve design. Depending on the product and container to be filled, various versions of the valve are available:

- Without pre-evacuation: carbonated beverages or still water in glass or PET bottles
- With pre-evacuation: beer or CSD in glass bottles
- With double pre-evacuation: beer in glass bottles
- With self-leveling: wine in glass bottles
- With pre-evacuation and self-leveling: still or sparkling wine in glass bottles
- Up to two closing devices (crown and/or capper) can be located on the extended base-frame (available as an option)



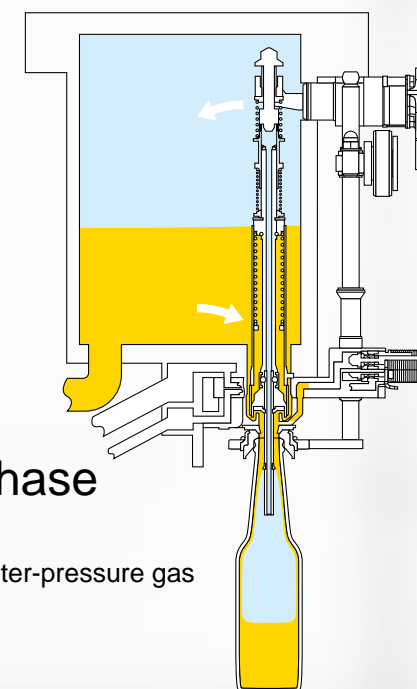
Section of the filler

- product
- vacuum or CIP return
- CO₂ or counter-pressure gas
- decompression



Filling phase

- product
- CO₂ or counter-pressure gas



3D view of a filling valve

Format changeovers

Bottle handling

The format changeover is completely tool free, thanks to a quick turn of the handles of the starwheel and guides.

Optional guides quick changeover system with a quarter turn.



Automatic height adjustment

On request, the filler for glass bottles can be equipped with an automatic height adjustment system to adapt to the various bottle formats.

This feature guarantees high precision, repeatability, easy operation and minimal changeover times.



Bottle lifts

The bottle lifts are raised from above and are located inside the carousel where they are well protected. The design of the bottle lift makes for easier, faster assembly and dismantling, as these operations are carried out with the bottle lift completely assembled.

If a bottle bursts, the fragments of glass and product fall directly to the floor without coming into contact with the sliding parts of the bottle lift.

At the same time, an automatic wash-off system is switched on to spray high-pressure water jets onto the bottle lift plates, the filling valves and the centering bells which are lifted into the wash-off area, where any remaining glass debris is completely removed.



Closing systems

Variable pressure foaming system

Crowner

The crowner offers both speed and flexibility as it can be adjusted according to the application.

- The machine can be fitted with a double hopper and double cap infeed chute to enhance efficiency: if the main chute jams, the second chute automatically starts, avoiding machine downtime.
- Also available in an ultra-clean version, the crowner is perfectly suited to applications requiring higher hygiene as it is specifically designed to make cleaning operations easier.
- As an option, both crown caps and ring-pulls can be used with quick changeovers.



Crowner with double cap infeed chute



Crowner

Capper

As an alternative or in addition to the crowner, one or more cappers can be installed to handle all types of screw caps:

- Aluminum caps
- Plastic caps
- Sport caps
- Special caps



Capper



Quality filling

This foaming system is installed on fillers dedicated to beer. Residual air is eliminated from the bottle neck by injecting high pressure water before crowning. As an option, this system can be automated.

The PLC software adjusts the pressure according to a pressure/speed graph set by the operator interface terminal. By memorizing the graphs, proper foaming is guaranteed in all working conditions. The system can also be integrated with an automatic device controlling the foam water temperature.



Detail of foaming system

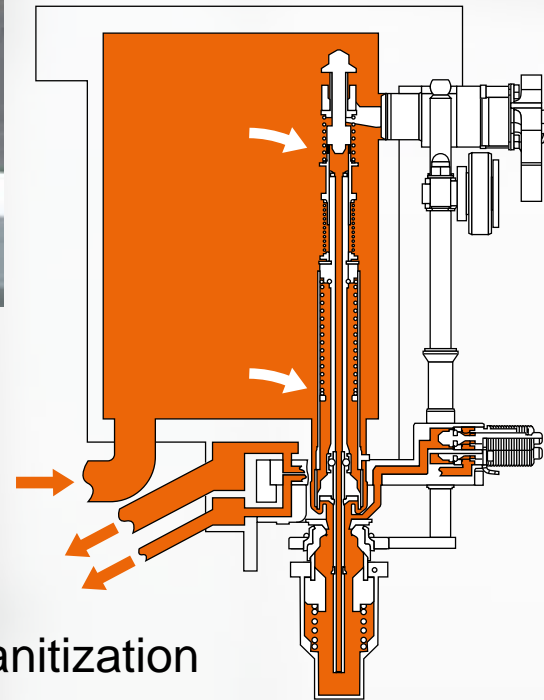
Sanitization



Dummy bottles

The machine is designed to be washed and sanitized in a closed loop, installing dummy bottles applied to the filling valves.

All parts in contact with the product are treated in the sanitization cycle. On request, an external sanitization system can be provided for the filler carousel and base frame. Any residue is removed by foaming products and water rinsing.



Internal sanitization

■ sanitizing product

Ultra-clean base frame

On request, the front base frame can be supplied in an ultra-clean version, featuring a double slope on the upper surface.

This special design allows complete and rapid draining of all product residues, water, and broken bottles.

This makes cleaning operations easier, more effective and guarantees optimal hygiene conditions in the filling area.



Operator interface

A PC with a touch-screen and graphic software provides simple, practical control over the machine.



First in line

In a complex industry where know-how is everything, Gebo Cermex is formed from the union of two strong brands: Gebo & Cermex, gathering packaging line engineering experience across a range of markets from beverages and food to pharmaceuticals, via home and personal care.

For over half a century, our experts have improved the performance of production and packaging lines in some of the most demanding industries.

Today **more than 37,000 equipment & systems installations bear our signature**. We add value to our customers' business in four dimensions, from equipment design and manufacturing to line engineering, services and asset performance.

Gebo Cermex, headquartered in France is a people-centric organization with **1800 employees and over 20 commercial & manufacturing sites** in all major regions around the world.

No-one knows packaging lines like we do. We are first in line.

Gebo Packaging Solutions Italy
Via La Spezia, 241/A • 43126 Parma - Italy
Tel.: +39 0521 9991

Gebo Cermex Headquarters
Rue du Commerce, CS 73455 Reichstett • 67455 Mundolsheim Cedex - France
Tel.: +33 (0)3 88 18 38 50

■ contact.us@gebocermex.com ■ www.gebocermex.com

