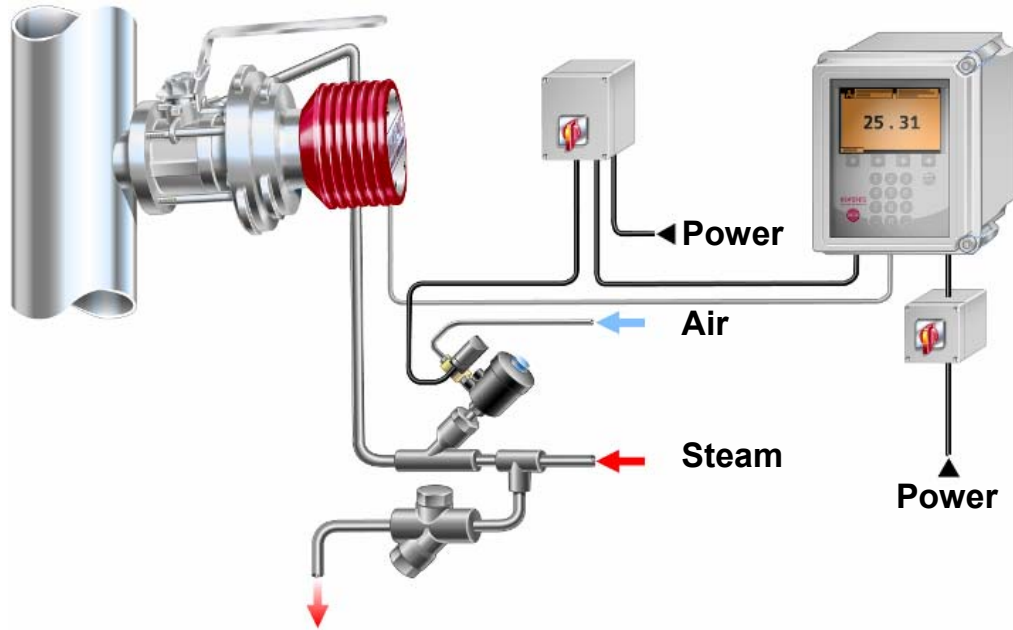


**SAFE-DRIVE™ Sensor and Isolation valve**

**Shut-off valve**

**Transmitter**



**SAFE-DRIVE ISOLATION VALVE AND AUTOMATIC PRISM WASH WITH STEAM**

| Availability/Compatibility of features:                     |  |
|---|--|
| Feature:  | Availability/compatibility:                |
| SAFE-DRIVE Isolation valve and Prism wash system with steam | SAFE-DRIVE™ Process Refractometer PR-23-SD |



**INTRODUCTION**

The components of SAFE-DRIVE Process Refractometer PR-23-SD with a steam wash system are SAFE-DRIVE Sensor and Isolation valve with integral steam nozzle mounted at the isolation valve, a shut-off valve for steam line and an indicating transmitter equipped with relays to drive the wash valves. A steam pressure reducing valve and a strainer for the steam line are available as an option.

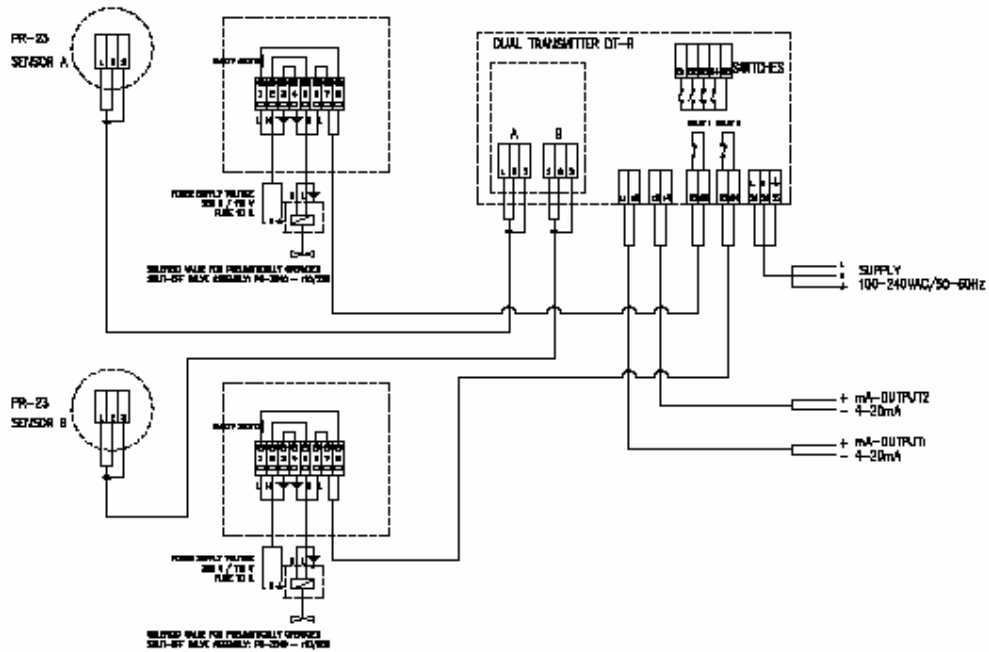
The retractable prism wash nozzle can be safely removed for service check.

The built-in relays of the Indicating transmitter can be configured to control the prism wash cycle.

**Recommended steam pressure and wash times:**

| Minimum above process pressure | Maximum above process pressure | Wash time   |
|--------------------------------|--------------------------------|-------------|
| 2 bar (30 psi)                 | 6 bar (90 psi)                 | 3-5 seconds |

SAFE-DRIVE and prism wash system for steam: wiring.



Mounting steam wash to SAFE-DRIVE Isolation valve

