

MODEL 252N

Narrow Aisle Corner Wrap Label Printer Applicator

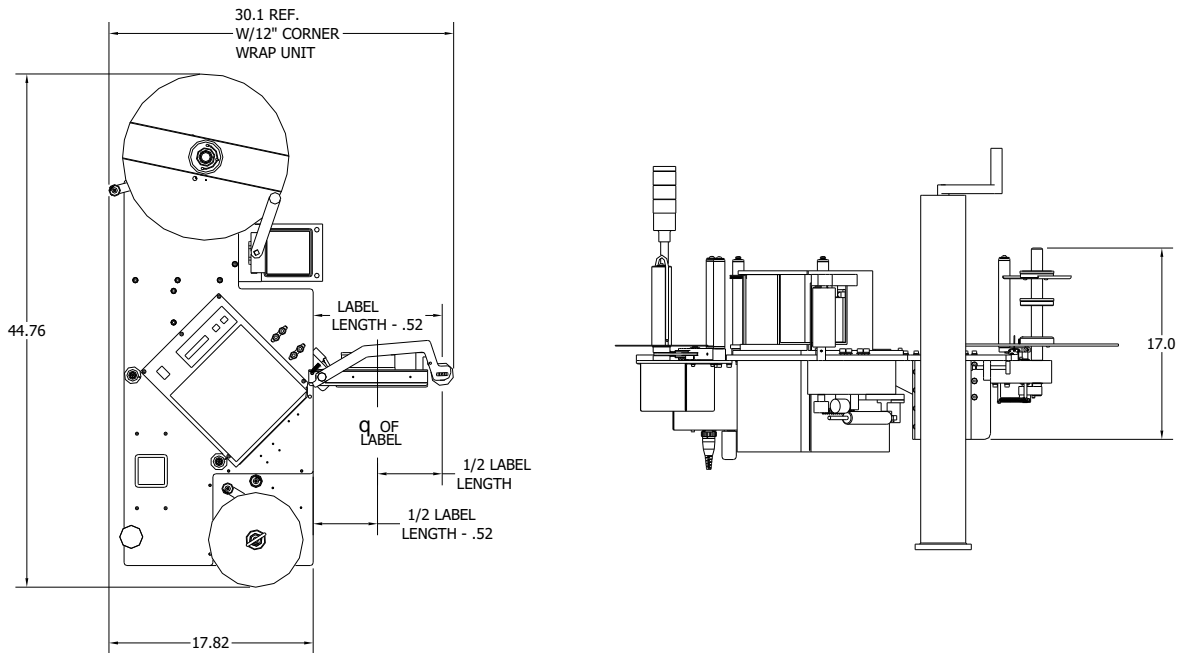
- Designed for limited space
- Same rugged construction as standard Model 252
- Standard Model 252 components
- Choice of Zebra, Datamax or Sato Print Engine

ID Technology has designed a printer applicator for production floors with limited space. This modified Model 252 requires less aisle space and is comprised of standard "off-the-shelf" IDT components mounted on a custom face plate.

The new design results in a space saving, compact footprint (18" deep by 45" long, measuring along the length of the conveyor). This configuration utilizes IDT Model 252 modules and a pivoting vacuum grid with attached follow along roller.

Even with the customized narrow aisle design, operators can easily access electronics and other components because the entire system, like the standard system, is a truly modular design. All applicator modules can be replaced within moments by removing two or four bolts, installing a new module, and getting back in to production.

Model 252N Narrow Aisle Corner Wrap Label Printer Applicator



Note: All photography and dimensional drawings depict representative examples of systems. Dimensions, options and controls vary by application.

Model 252N Label Printer Applicator Specifications

Print Engines	Choice of Sato, Zebra or Datamax <i>(see print engine data sheet)</i>
Communications	Parallel, RS232, RS422/485, USB, Ethernet <i>(see print engine data sheet)</i>
Electrical	110 to 240 VAC, 50-60 Hz input power
Product Sensing	Photoelectric
Label Roll Size	14" (OD) x 3" (ID) - Standard
Label Style	Die cut, waste removed, outside wound, with 1/8" minimum gap in the running direction
Standard Label Size	3" Minimum Width 8" Minimum Length 7.1" Maximum Width Maximum length is application specific
Upgrades and Options	Left Hand Configuration Status Beacon Low Label Alarm System Status Output



2051 Franklin Drive
Fort Worth, TX 76106
888.438.3242
www.idtechnology.com