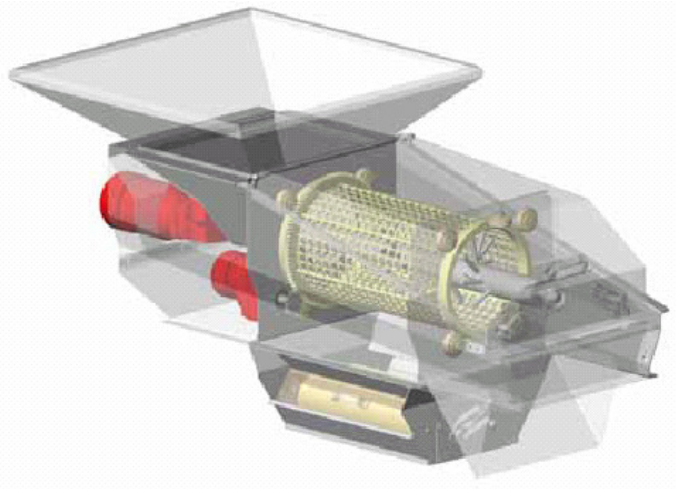




ROTO 10- and ROTO 20-Series

Destemmer/Crusher

Roto 10
Roto 20



- The ARMBRUSTER ROTO provides very gently handling of fruit.
- A specially shaped, slow-rotating pin shaft ensures optimum distribution of the grapes in the destemming cylinder, reduces suspended solids content and increases output and performance.
- All units come standard with a variable speed pin shaft and reversible destemming cylinder
- Both models are offered as a destemmer only or destemmer/crusher.

	Roto 10	Roto 20	Technical Data
Output - hand-picked grapes (metric tons/hour)	Up to 10	Up to 20	<ul style="list-style-type: none"> -Continuously operating machine using the destemming/crushing principal. -Self-supporting housing made from AISI 304 stainless steel. -Destemming cylinder made from impact resistant PA plastics. -Crushing rollers made from food-grade plastics. -Adjustable width between the crushing rollers.
Pin Shaft – variable speed (with frequency converter) Drive power	1.5 kW (2.0 HP)	2.2 kW (2.9 HP)	
Destemming Cylinder			
Rotation	CW & CCW	CW & CCW	
Diameter	340 mm	420 mm	
Drive Power	0.37 kW (0.5HP)	0.37 kW (0.5 HP)	
Crushing Rollers			
Drive Drive Power	Drum motors 2x0.35 kW (0.5 HP)	Drum motors 2x0.35 kW (0.5 HP)	
Infeed hopper	1016 x 972 mm	1016 x 972 mm	
Weight	240 kg (529 lbs)	285 kg (628 lbs)	

DISTRIBUTED BY:



2220 Pine View Way • P.O. Box 4559 • Petaluma, CA • 94955-4559

Tel: (707) 765-6666 • Fax: (707) 765-6674 • www.scottlab.com