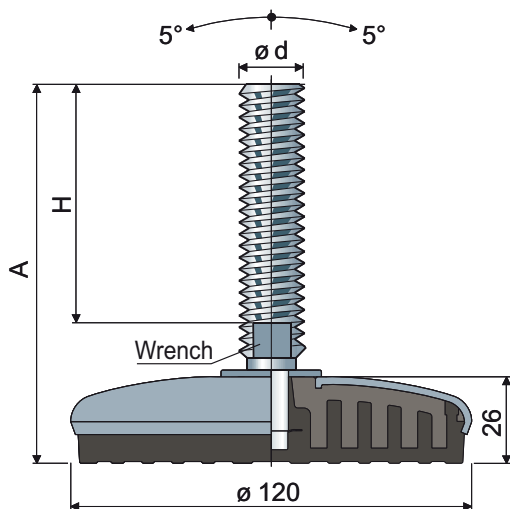


Adjustable feet, sanitizable

(base in stainless steel)

Ø 120 Part. 110



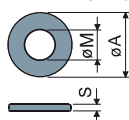
Spindle measures in mm				Spindle and base in stainless steel AISI 304		Max static load (N)
ød	A	H	Wrench	Code		
M12	109	70	10	110 / 83574	17000	
M14	148	108	12	110 / 83575		
	102	58	13	110 / 83576		
	163	119	13	110 / 83577		
	189	145	13	110 / 83578		
M16	245	201	13	110 / 83579		
	201	157	15	110 / 83580		
	153	107	17	110 / 83581		
	181	135	17	110 / 83582		
M20	203	157	17	110 / 83583		30000
	236	190	17	110 / 83584		
	284	238	17	110 / 83585		
	139	90	19	110 / 83586		
M24	176	127	19	110 / 83587		
	211	162	19	110 / 83588		
	250	201	19	110 / 83589		
	174	125	24	110 / 83590		
M30	234	185	24	110 / 83591		

Material: Internal part made of reinforced polyamide; external covering made of stainless steel AISI 304; anti-slip pad made of soft PVC 68 shore black colour.

Box quantity: 8 pieces.

Features: Comoulded anti-slip pad allows a perfect adherence with steel base. Consequent absence of internal cavities makes foot extremely cleanable.

Washers UNI 6592-69 - Box quantity: 24 pieces.



øM	M12	M14	M16	M20	M24	M30
Smm	2,5	2,5	3	3	4	4
øAmm	24	28	30	37	44	56
Stainless steel codes	7287	7288	7291	7292	7294	7296

Nuts UNI 5588-65 - Box quantity: 24 pieces.



ød	M12	M14	M16	M20	M24	M30
Smm	10	11	13	16	19	24
Ch. mm	19	22	24	30	36	46
Stainless steel codes	7273	7274	7277	7278	7280	7282

On request

- Spindles with: Sunk hexagon head • second wrench seat head • hexagon wrench seat • threads with other pitches and lengths.
- Anti-slip pads: White color.
- Box quantity: Not standard.
- Assembling of: Nuts • washers.