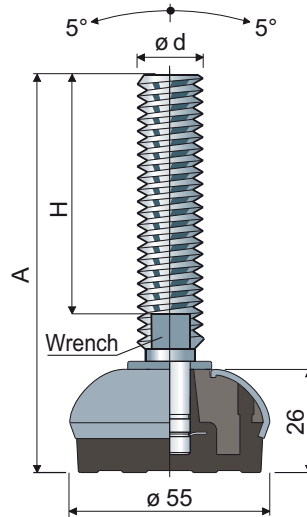


Adjustable feet, sanitizable

(base in stainless steel)

Part. **114** \varnothing **55**



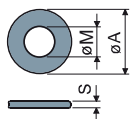
Spindle measures in mm				Spindle and base in stainless steel AISI 304		Max static load (N)
$\varnothing d$	A	H	Wrench	Code		
M12	110	70	10	114 / 83802	15000	
M14	148	108	12	114 / 83803		
M16	102	58	13	114 / 83804		
	163	119	13	114 / 83805		
	189	145	13	114 / 83806		
M18	245	201	13	114 / 83807		
	201	156	15	114 / 83808		
M20	151	107	17	114 / 83809		20000
	179	135	17	114 / 83810		
	201	157	17	114 / 83811		
	234	190	17	114 / 83812		
M24	282	238	17	114 / 83813		
	139	90	13	114 / 83814		
	176	127	13	114 / 83815		
M30	211	162	13	114 / 83816		
	250	201	13	114 / 83817		
M30	174	125	13	114 / 83818		
	234	185	13	114 / 83819		

Material: Internal part made of reinforced polyamide; external covering made of stainless steel AISI 304; anti-slip pad made of soft PVC 68 shore black colour.

Box quantity: 8 pieces.

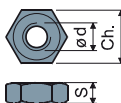
Features: Comoulded anti-slip pad allows a perfect adherence with steel base. Consequent absence of internal cavities makes foot extremely cleanable.

Washers UNI 6592-69 - Box quantity: 24 pieces.



$\varnothing M$	M12	M14	M16	M20	M24	M30
Smm	2,5	2,5	3	3	4	4
$\varnothing A$ mm	24	28	30	37	44	56
Stainless steel codes	7287	7288	7291	7292	7294	7296

Nuts UNI 5588-65 - Box quantity: 24 pieces.



$\varnothing d$	M12	M14	M16	M20	M24	M30
Smm	10	11	13	16	19	24
Ch. mm	19	22	24	30	36	46
Stainless steel codes	7273	7274	7277	7278	7280	7282

On request

- Spindles with: Sunk hexagon head • second wrench seat head • hexagon wrench seat • threads with other pitches and lengths.
- Anti-slip pads: White color.
- Box quantity: Not standard.
- Assembling of: Nuts • washers.