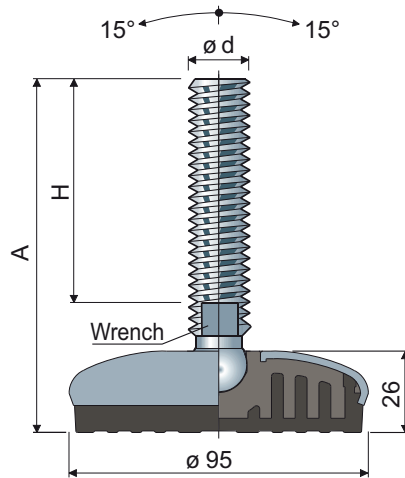


Articulated feet, sanitizable

(base in stainless steel)

Ø 95 Part. 101



Spindle measures in mm				Spindle and base in stainless steel AISI 304		Max static load (N)
ød	A	H	Wrench	Code		
M16	103	60	13	101 / 83073	22000	
	133	90	13	101 / 83074		
	148	105	13	101 / 83075		
	168	125	13	101 / 83076		
	198	155	13	101 / 83077		
	208	165	13	101 / 83078		
M20	248	205	13	101 / 83263	24000	
	132	86	17	101 / 83079		
	162	116	17	101 / 83209		
	187	141	17	101 / 83081		
M24	252	206	17	101 / 83082	26000	
	142	96	19	101 / 83083		
	168	122	19	101 / 83084		
	198	152	19	101 / 83085		
	228	182	19	101 / 83086		
	346	300	19	101 / 83087		

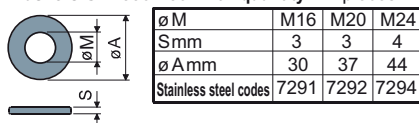
Spindle measures in inches				Spindle and base in stainless steel AISI 304		Max static load (N)
ød	A	H	Wrench	Code		
5/8" -11 UNC	8,70"	7"	1/2"	101 / 83145	22000	
3/4" -10 UNC	8,78"	7"	5/8"	101 / 83155	24000	

Material: Internal part made of reinforced polyamide; external covering made of stainless steel AISI 304; anti-slip pad made of soft PVC 68 shore black colour.

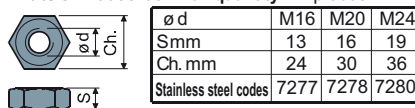
Box quantity: 8 pieces.

Features: Comoulded anti-slip pad allows a perfect adherence with steel base. Consequent absence of internal cavities makes foot extremely cleanable.

Washers UNI 6592-69 - Box quantity: 24 pieces.



Nuts UNI 5588-65 - Box quantity: 24 pieces.



On request

- Spindles with: Sunk hexagon head • second wrench seat head • hexagon wrench seat • threads with other pitches and lengths.
- Anti-slip pads: White color.
- Box quantity: Not standard.
- Assembling of: Nuts • washers.