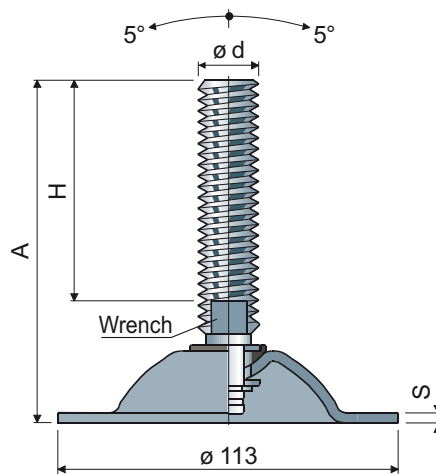


Adjustable feet

(base in steel)

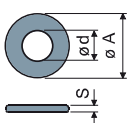
Ø 113 Part. 98



Spindle measures in mm							Max static load (N)
Ø d	A	H	Wrench	Spindle and base in zinc plated steel Code	Spindle and base in stainless steel AISI 304 Code		
M16	100	58	13	98 / 7584	98 / 7585	15000 (zinc plated) S = 3,5	
	161	119	13	98 / 7918	98 / 7919		
	187	145	13	98 / 7586	98 / 7587		
	243	201	13	98 / 7588	98 / 7589		
M18	199	157	15	98 / 82140	98 / 82141		10000 (AISI 304) S = 3
	152	107	17	98 / 7590	98 / 7591		
M20	180	135	17	98 / 7592	98 / 7593		
	202	157	17	98 / 7594	98 / 7595		
	235	190	17	98 / 83238	98 / 83239		
	283	238	17	98 / 83240	98 / 83241		
M24	138	90	19	98 / 7596	98 / 7597	10000 (AISI 304) S = 3	
	175	127	19	98 / 7598	98 / 7599		
	210	162	19	98 / 7600	98 / 7601		
	250	202	19	98 / 83242	98 / 83243		
M30	173	125	24	98 / 7602	98 / 7603		10000 (AISI 304) S = 3
	233	185	24	98 / 7604	98 / 7605		

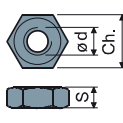
Box quantity: 8 pieces.

Washers UNI 6592-69 - Box quantity: 24 pieces.



Ø M	M16	M20	M24	M30
Smm	3	3	4	4
Ø Amm	30	37	44	56
Zinc plated steel codes	7289	7290	7293	7295
Stainless steel codes	7291	7292	7294	7296

Nuts UNI 5588-65 - Box quantity: 24 pieces.



Ø d	M16	M20	M24	M30
Smm	13	16	19	24
Ch. mm	24	30	36	46
Zinc plated steel codes	7275	7276	7279	7281
Stainless steel codes	7277	7278	7280	7282

On request

- Spindles with: Sunk hexagon head • second wrench seat head • hexagon wrench seat • threads with other pitches and lengths.
- Box quantity: Not standard.
- Assembling of: Nuts • washers.