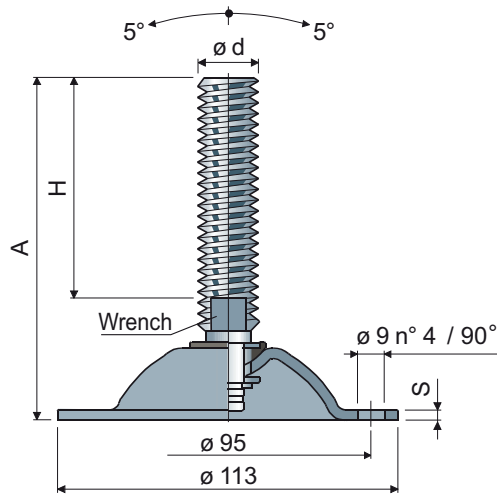


Adjustable feet

(base in steel)

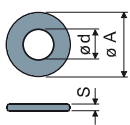
Part. **96** Ø **113**



Spindle measures in mm						
$\varnothing d$	A	H	Wrench	Spindle and base in zinc plated steel Code	Spindle and base in stainless steel AISI 304 Code	Max static load (N)
M16	100	58	13	96 / 7562	96 / 7563	15000 (zinc plated) S = 3,5
	161	119	13	96 / 7916	96 / 7917	
	187	145	13	96 / 7564	96 / 7565	
	243	201	13	96 / 7566	96 / 7567	
M18	199	157	15	96 / 82138	96 / 82139	
	152	107	17	96 / 7568	96 / 7569	
M20	180	135	17	96 / 7570	96 / 7571	
	202	157	17	96 / 7572	96 / 7573	
	235	190	17	96 / 83232	96 / 83233	
	283	238	17	96 / 83234	96 / 83235	
M24	138	90	19	96 / 7574	96 / 7575	10000 (AISI 304) S = 3
	175	127	19	96 / 7576	96 / 7577	
	210	162	19	96 / 7578	96 / 7579	
	250	202	19	96 / 83236	96 / 83237	
M30	173	125	24	96 / 7580	96 / 7581	
	233	185	24	96 / 7582	96 / 7583	

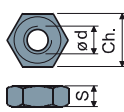
Box quantity: 8 pieces.

Washers UNI 6592-69 - Box quantity: 24 pieces.



$\varnothing M$	M16	M20	M24	M30
Smm	3	3	4	4
$\varnothing A$ mm	30	37	44	56
Zinc plated steel codes	7289	7290	7293	7295
Stainless steel codes	7291	7292	7294	7296

Nuts UNI 5588-65 - Box quantity: 24 pieces.



$\varnothing d$	M16	M20	M24	M30
Smm	13	16	19	24
Ch. mm	24	30	36	46
Zinc plated steel codes	7275	7276	7279	7281
Stainless steel codes	7277	7278	7280	7282

On request

- Spindles with: Sunk hexagon head • second wrench seat head • hexagon wrench seat • threads with other pitches and lengths.
- Box quantity: Not standard.
- Assembling of: Nuts • washers.