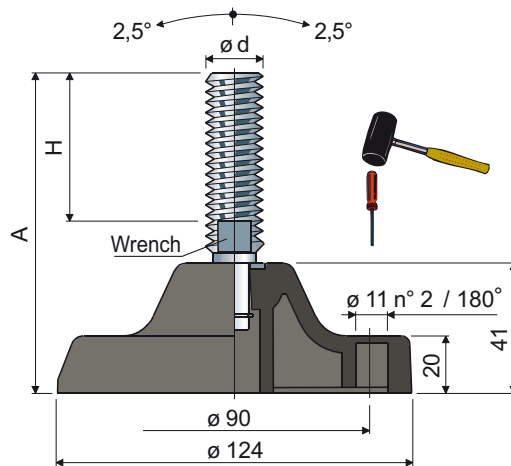


# Articulated feet

(base in reinforced polyamide)

∅ 124 Part. 93



Spindle measures in mm						
∅d	A	H	Wrench	Spindle in zinc plated steel		Max static load (N)
				Code		
M16	115	58	13	93 / 7510	93 / 7511	43000
	176	119	13	93 / 7908	93 / 7909	
	202	145	13	93 / 7512	93 / 7513	
	258	201	13	93 / 7514	93 / 7515	
M18	214	157	15	93 / 82136	93 / 82137	45000
	167	107	17	93 / 7516	93 / 7517	
M20	195	135	17	93 / 7518	93 / 7519	47000
	217	157	17	93 / 7520	93 / 7521	
	250	190	17	93 / 83226	93 / 83227	
	298	238	17	93 / 83228	93 / 83229	
M24	153	90	19	93 / 7522	93 / 7523	50000
	190	127	19	93 / 7524	93 / 7525	
	225	162	19	93 / 7526	93 / 7527	
	265	202	19	93 / 83230	93 / 83231	
M30	188	125	24	93 / 7528	93 / 7529	50000
	248	185	24	93 / 7530	93 / 7531	

Base material: Reinforced polyamide black colour.

Box quantity: 8 pieces.

## Accessories

### Anti-slip pads:

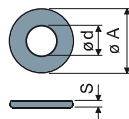
- code: 7633;

- material: soft PVC 68 shore black colour;

- box quantity: 8 pieces.

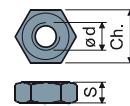


Washers UNI 6592-69 - Box quantity: 24 pieces.



∅ M	M16	M20	M24	M30
Smm	3	3	4	4
∅ A mm	30	37	44	56
Zinc plated steel codes	7289	7290	7293	7295
Stainless steel codes	7291	7292	7294	7296

Nuts UNI 5588-65 - Box quantity: 24 pieces.



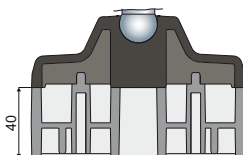
∅ d	M16	M20	M24	M30
Smm	13	16	19	24
Ch. mm	24	30	36	46
Zinc plated steel codes	7275	7276	7279	7281
Stainless steel codes	7277	7278	7280	7282

### Spacers:

- code: 83410 (see pag. 170);

- material: Reinforced polyamide black colour;

- box quantity: 8 pieces.



### On request

- Bases: In reinforced polypropylene • other colours • with prebored fixing holes.
- Spindles with: Sunk hexagon head • second wrench seat head • hexagon wrench seat • threads with other pitches and lengths.
- Box quantity: Not standard.
- Assembling of: Anti-slip pads • nuts • washers.