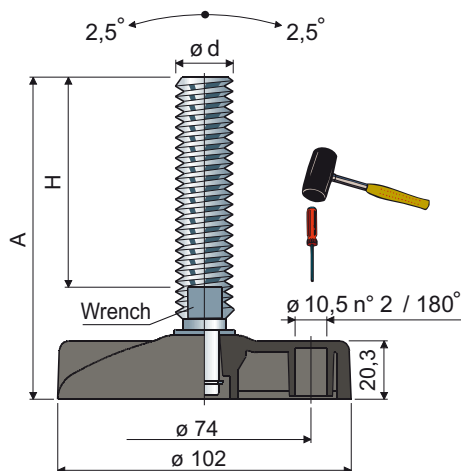


Adjustable feet

(base in reinforced polyamide)

∅ 102 Part. 87



Spindle measures in mm				Spindle in zinc plated steel		Spindle in stainless steel AISI 304		Max static load (N)
∅ d	A	H	Wrench	Code	Code			
M16	98	58	13	87 / 7498	87 / 7499		33000	
	159	119	13	87 / 7904	87 / 7905			
	185	145	13	87 / 7154	87 / 7155			
	241	201	13	87 / 7156	87 / 7157			
M18	197	157	15	87 / 82134	87 / 82135		35000	
	150	107	17	87 / 7158	87 / 7159			
	178	135	17	87 / 7500	87 / 7501			
M20	200	157	17	87 / 7160	87 / 7161		37000	
	233	190	17	87 / 83214	87 / 83215			
	281	238	17	87 / 83216	87 / 83217			
	136	90	19	87 / 7162	87 / 7163			
M24	173	127	19	87 / 7502	87 / 7503		37000	
	208	162	19	87 / 7164	87 / 7165			
	248	202	19	87 / 83218	87 / 83219			

Base material: Reinforced polyamide black colour.

Box quantity: 24 pieces.

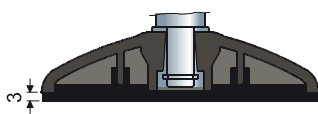
Accessories

Anti-slip pads:

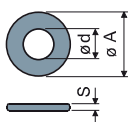
- code: 7267;

- material: soft PVC 68 shore black colour;

- box quantity: 24 pieces.

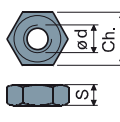


Washers UNI 6592-69 - Box quantity: 24 pieces.



∅ M	M16	M20	M24
Smm	3	3	4
∅ A mm	30	37	44
Zinc plated steel codes	7289	7290	7293
Stainless steel codes	7291	7292	7294

Nuts UNI 5588-65 - Box quantity: 24 pieces.



∅ d	M16	M20	M24
Smm	13	16	19
Ch. mm	24	30	36
Zinc plated steel codes	7275	7276	7279
Stainless steel codes	7277	7278	7280

On request

- Bases: In reinforced polypropylene • other colours • with prebored fixing holes.
- Spindles with: Sunk hexagon head • second wrench seat head • hexagon wrench seat • threads with other pitches and lengths.
- Box quantity: Not standard.
- Assembling of: Anti-slip pads • nuts • washers.