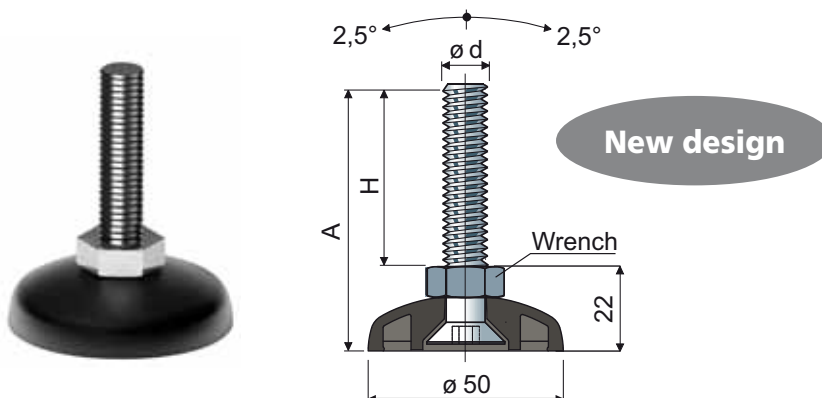


# Adjustable feet

(base in reinforced polyamide)

Part. **79**  $\varnothing$  **50**

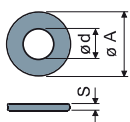


Spindle measures in mm				Spindle in zinc plated steel	Spindle in stainless steel AISI 304	Max static load (N)
$\varnothing d$	A	H	Wrench	Code	Code	
M10	67	45	17	79 / 82074	79 / 82075	12000
	92	70	17	79 / 82076	79 / 82077	
	122	100	17	79 / 82078	79 / 82079	

Base material: Reinforced polyamide black colour.

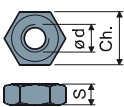
Box quantity: 24 pieces.

Washers UNI 6592-69 - Box quantity: 24 pieces.



$\varnothing M$	M10
Smm	2
$\varnothing A$ mm	21
Zinc plated steel codes	7283
Stainless steel codes	7286

Nuts UNI 5588-65 - Box quantity: 24 pieces.



$\varnothing d$	M10
Smm	8
Ch. mm	17
Zinc plated steel codes	7269
Stainless steel codes	7272

On request

- Bases: In reinforced polypropylene • other colours.
- Spindles with: Threads with other pitches and lengths.
- Box quantity: Not standard.
- Assembling of: Anti-slip pads • nuts • washers.