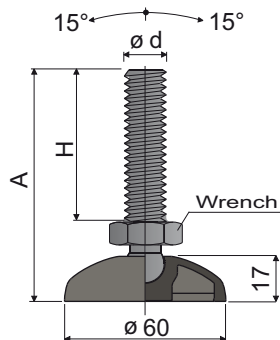


# PA articulated feet

(in reinforced polyamide)

Part. **18**  $\varnothing$  60



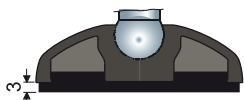
Spindle measures in mm				Spindle and base in reinforced polyamide		Max static load (N)
$\varnothing d$	A	H	Wrench	Code		
M16	101	67	24	<b>18 / 7627</b>	7000	
M20	174	140	24	<b>18 / 80160</b>	7500	

Material base and spindle: Reinforced polyamide black colour.  
Box quantity: 24 pieces.

**Accessories**

**Anti-slip pads:**

- code: 7265;
- material: soft PVC 68 shore black colour;
- box quantity: 24 pieces.



**Washers UNI 6592-69 - Box quantity: 24 pieces.**

$\varnothing$ M	M16	M20
Smm	3	3
$\varnothing$ A mm	30	37
Zinc plated steel codes	7289	7290
Stainless steel codes	7291	7292

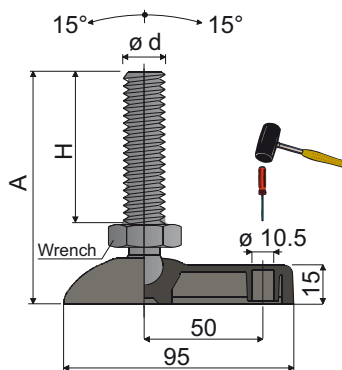
**Nuts UNI 5588-65 - Box quantity: 24 pieces.**

$\varnothing$ d	M16	M20
Smm	13	16
Ch. mm	24	30
Zinc plated steel codes	7275	7276
Stainless steel codes	7277	7278

**On request**

- Bases: In reinforced polypropylene • other colours.
- Box quantity: Not standard.
- Assembling of: Anti-slip pads • nuts • washers.

Part. **27** 60X95



Spindle measures in mm				Spindle and base in reinforced polyamide		Max static load (N)
$\varnothing d$	A	H	Wrench	Code		
M16	101	67	24	<b>27 / 7628</b>	7000	
M20	174	140	24	<b>27 / 80161</b>	7500	

Material base and spindle: Reinforced polyamide black colour.  
Box quantity: 24 pieces.

**Accessories**

**Anti-slip pads:**

- code: 7632;
- material: soft PVC 68 shore black colour;
- box quantity: 24 pieces.



**Washers UNI 6592-69 - Box quantity: 24 pieces.**

$\varnothing$ M	M16	M20
Smm	3	3
$\varnothing$ A mm	30	37
Zinc plated steel codes	7289	7290
Stainless steel codes	7291	7292

**Nuts UNI 5588-65 - Box quantity: 24 pieces.**

$\varnothing$ d	M16	M20
Smm	13	16
Ch. mm	24	30
Zinc plated steel codes	7275	7276
Stainless steel codes	7277	7278

**On request**

- Bases: In reinforced polypropylene • other colours • with prebored fixing holes.
- Box quantity: Not standard.
- Assembling of: Anti-slip pads • nuts • washers.