



Pillow Blocks

Serie **UCP/C**

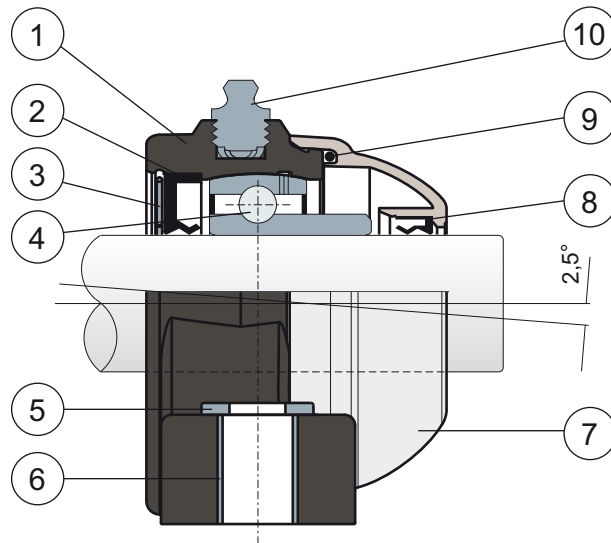


NEW

New product line with support body in PA white colour.



Full protection of bearing



- 1) Support body made out of black or white polyamide reinforced with glass fibers.
- 2) Back gasket made out of NBR rubber for turning shaft seal.
- 3) Safety ring in stainless steel AISI 304.
- 4) Chrome steel or stainless steel bearing AISI 440C.
- 5) UNI 6592 support washer made out of stainless steel AISI 304.
- 6) Spacer for fixing reinforcement made out of stainless steel AISI 304.
- 7) Protection cover made out of polypropylene (grey colour Ral 7042).
- 8) Front gasket made out of NBR rubber for turning shaft seal.
- 9) OR gasket made out of NBR rubber.
- 10) Greaser for relubrication made out of nickel-plated brass.

Support dimensions respect ISO 3228 set of rules.

Maximum shaft alignment error 2,5°.

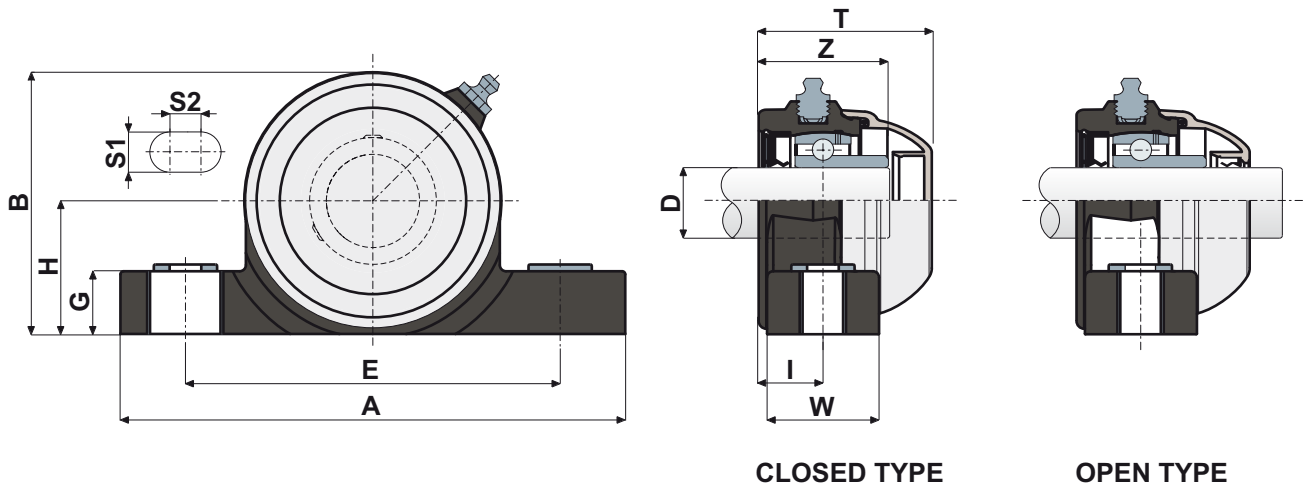
For further information please contact our technical office or sales department.



Pillow Blocks

Technical data

Serie **UCP/C**



| CHROME STEEL BEARING | | | | | | | | | | | | | | | | | | | |
|----------------------|-----------|--------------|-----------|--------------|-----------|-----------------|-----|----|----|----|------|------|------|----|------|------|------------------|-------|--------------------------|
| D | SERIE | CODES | | | | DIMENSIONS (mm) | | | | | | | | | | | Bearing load (N) | | Bearing support load (N) |
| | | Black colour | | White colour | | E | A | S1 | S2 | G | H | B | I | W | Z | T | C | C0 | |
| | | Closed type | Open type | Closed type | Open type | | | | | | | | | | | | | | |
| 20 | UCP 204 C | 84076 | 84077 | 84758 | 84759 | 96 | 130 | 13 | 10 | 20 | 33,5 | 65,5 | 18 | 30 | 36 | 49 | 12800 | 6600 | 5750 |
| 25 | UCP 205 C | 83682 | 83683 | 84760 | 84761 | 106 | 140 | 13 | 10 | 20 | 36,5 | 71,5 | 19,6 | 35 | 39 | 51,7 | 14000 | 7800 | 6900 |
| 30 | UCP 206 C | 83684 | 83685 | 84762 | 84763 | 121 | 163 | 13 | 10 | 20 | 43 | 84,5 | 20,7 | 36 | 41,7 | 55,7 | 19500 | 11300 | 9200 |
| 35 | UCP 207 C | 83686 | 83687 | 84764 | 84765 | 126 | 168 | 13 | 10 | 20 | 47,6 | 93,3 | 22,7 | 39 | 48 | 61,8 | 25500 | 15300 | 11500 |

| STAINLESS STEEL BEARING AISI 440C | | | | | | | | | | | | | | | | | | | |
|-----------------------------------|-----------|--------------|-----------|--------------|-----------|-----------------|-----|----|----|----|------|------|------|----|------|------|------------------|-------|--------------------------|
| D | SERIE | CODES | | | | DIMENSIONS (mm) | | | | | | | | | | | Bearing load (N) | | Bearing support load (N) |
| | | Black colour | | White colour | | E | A | S1 | S2 | G | H | B | I | W | Z | T | C | C0 | |
| | | Closed type | Open type | Closed type | Open type | | | | | | | | | | | | | | |
| 20 | UCP 204 C | 84078 | 84079 | 84766 | 84767 | 96 | 130 | 13 | 10 | 20 | 33,5 | 65,5 | 18 | 30 | 36 | 49 | 8300 | 6550 | 5750 |
| 25 | UCP 205 C | 83696 | 83697 | 84768 | 84769 | 106 | 140 | 13 | 10 | 20 | 36,5 | 71,5 | 19,6 | 35 | 39 | 51,7 | 9150 | 7800 | 6900 |
| 30 | UCP 206 C | 83698 | 83699 | 84770 | 84771 | 121 | 163 | 13 | 10 | 20 | 43 | 84,5 | 20,7 | 36 | 41,7 | 55,7 | 12500 | 11200 | 9200 |
| 35 | UCP 207 C | 83700 | 83701 | 84772 | 84773 | 126 | 168 | 13 | 10 | 20 | 47,6 | 93,3 | 22,7 | 39 | 48 | 61,8 | 16600 | 15300 | 11500 |

VERSIONS WITH MEASURES IN INCHES

| CHROME STEEL BEARING | | | | | | | | | | | | | | | | | | | |
|----------------------|-----------|--------------|-----------|--------------|-----------|-----------------|-----|----|----|----|------|------|------|----|------|------|------------------|-------|--------------------------|
| D (inches) (mm) | SERIE | CODES | | | | DIMENSIONS (mm) | | | | | | | | | | | Bearing load (N) | | Bearing support load (N) |
| | | Black colour | | White colour | | E | A | S1 | S2 | G | H | B | I | W | Z | T | C | C0 | |
| | | Closed type | Open type | Closed type | Open type | | | | | | | | | | | | | | |
| 1" 25,4 | UCP 205 C | 84531 | 84532 | 84923 | 84924 | 106 | 140 | 13 | 10 | 20 | 36,5 | 71,5 | 19,6 | 35 | 39 | 51,7 | 14000 | 7800 | 6900 |
| 1" 1/4 31,75 | UCP 206 C | 84533 | 84534 | 84925 | 84926 | 121 | 163 | 13 | 10 | 20 | 43 | 84,5 | 20,7 | 36 | 41,7 | 55,7 | 19500 | 11300 | 9200 |

MATERIALS: Support made out of black or white colour PA+glass fiber; chrome steel or stainless steel bearing; greaser made out of nickel plated brass; reinforcement bushings, washers and safety ring made out of stainless steel AISI 304; gaskets made out of NBR rubber; cover made out of polypropylene, grey colour RAL 7042.

FEATURES: Full protection of bearing against external agents. Assembly with shouldered and not shouldered shafts. Maximum shaft alignment error 2,5°.

BOX QUANTITY: 8 pieces.

ON REQUEST: Versions with body in polypropylene + glass fiber and antibacterial additive; protection cover in different colors and with customized brand; box quantity according to your request; Viton gaskets, "Long life" bearings.