



Side flanged bearing supports

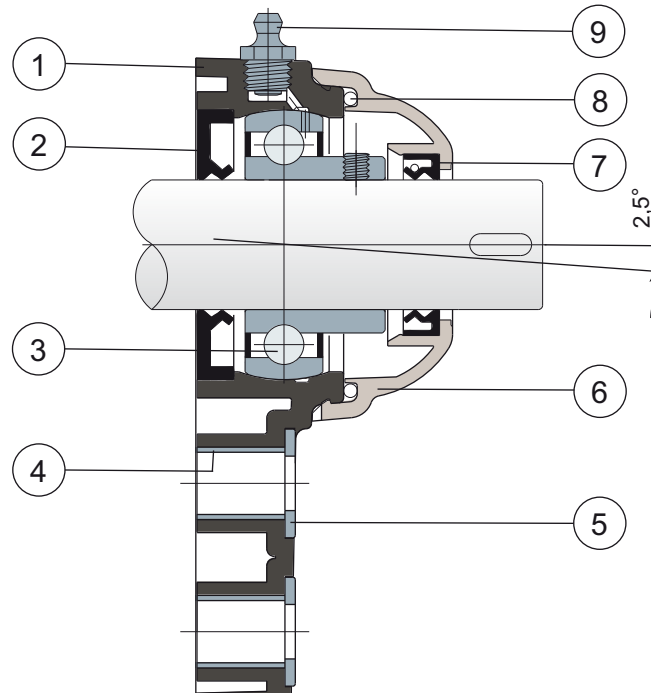
Serie **UCFB/C**



NEW

New product line with support body in PA white colour.

Full protection of bearing



- 1) Support body made out of black or white polyamide reinforced with glass fibers.
- 2) Back gasket made out of NBR rubber for turning shaft seal.
- 3) Chrome steel or stainless steel bearing AISI 440C.
- 4) Spacer for fixing reinforcement made out of stainless steel AISI 304.
- 5) UNI 6592 support washer made out of stainless steel AISI 304.
- 6) Protection cover made out of polypropylene (grey colour Ral 7042).
- 7) Front gasket made out of NBR rubber for turning shaft seal.
- 8) OR gasket made out of NBR rubber
- 9) Greaser for relubrication made out of nickel-plated brass.

Maximum shaft alignment error 2,5°

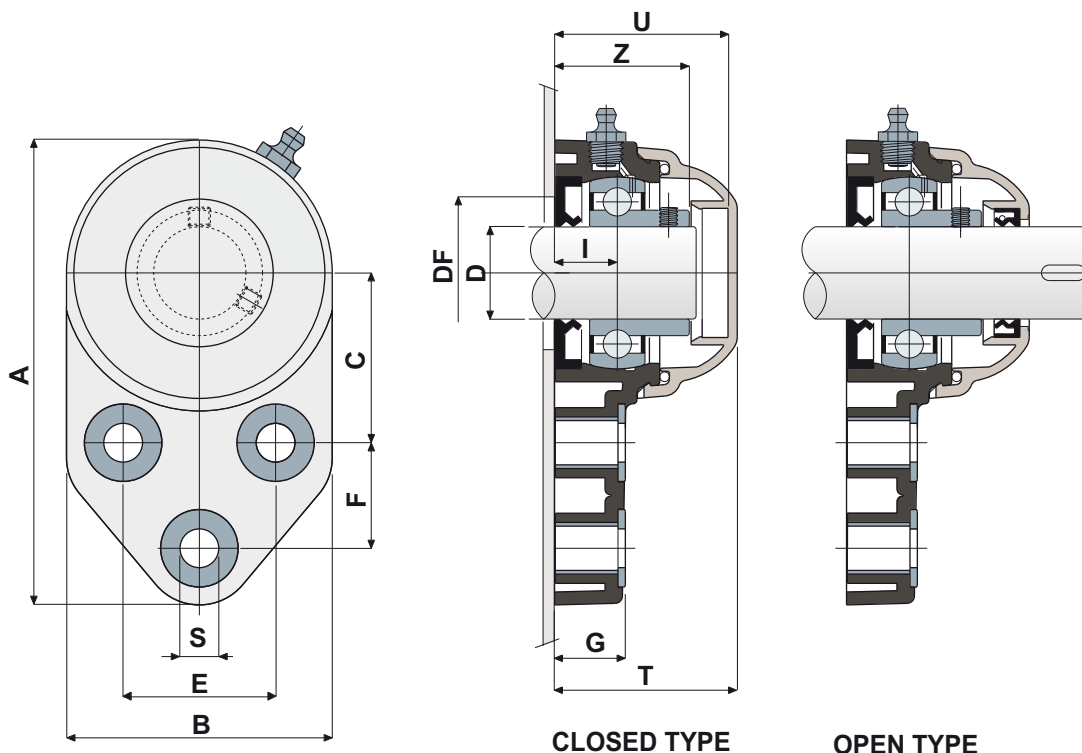
For further information please contact our technical office or sales department.



Side flanged bearing supports

Technical data

Serie **UCFB/C**



CHROME STEEL BEARING																					
D	SERIE	CODES				DIMENSIONS (mm)													Bearing load (N)		Bearing support load (N)
		Black colour		White colour		E	A	B	C	F	S	G	I	Z	U	T	DF		C	C0	
		Closed type	Open type	Closed type	Open type												Max	Min			
20	UCFB 204 C	82862	82861	84718	84719	41,3	126	72	46	28,6	10,5	19	18	36	47	49,5	45	40	12800	6600	8500
25	UCFB 205 C	82771	82770	84720	84721	41,3	126	72	46	28,6	10,5	19	17	36,5	47	49,5	50	45	14000	7800	9000
30	UCFB 206 C	84048	84049	84722	84723	47,6	142	85	52,4	32	10,5	26,3	20,7	41,7	53,2	55,7	60	50	19500	11300	11000
35	UCFB 207 C	84050	84051	84724	84725	51	155	94	60,5	32	10,5	26,3	20	45,3	56,5	59	70	55	25500	15300	13000
40	UCFB 208 C	83031	83033	84726	84727	50	165	100	60,5	41	10,5	26,3	19,5	48,5	65,5	68	78	65	32500	19800	18000

STAINLESS STEEL BEARING AISI 440C																					
D	SERIE	CODES				DIMENSIONS (mm)													Bearing load (N)		Bearing support load (N)
		Black colour		White colour		E	A	B	C	F	S	G	I	Z	U	T	DF		C	C0	
		Closed type	Open type	Closed type	Open type												Max	Min			
20	UCFB 204 C	82866	82865	84728	84729	41,3	126	72	46	28,6	10,5	19	18	36	47	49,5	45	40	8300	6550	8500
25	UCFB 205 C	82775	82774	84730	84731	41,3	126	72	46	28,6	10,5	19	17	36,5	47	49,5	50	45	9150	7800	9000
30	UCFB 206 C	84052	84053	84732	84733	47,6	142	85	52,4	32	10,5	26,3	20,7	41,7	53,2	55,7	60	50	12500	11200	11000
35	UCFB 207 C	84054	84055	84734	84735	51	155	94	60,5	32	10,5	26,3	20	45,3	56,5	59	70	55	16600	15300	13000
40	UCFB 208 C	83040	83027	84736	84737	50	165	100	60,5	41	10,5	26,3	19,5	48,5	65,5	68	78	65	20000	19000	18000

VERSIONS WITH MEASURES IN INCHES

CHROME STEEL BEARING																					
D (inches) (mm)	SERIE	CODES				DIMENSIONS (mm)													Bearing load (N)		Bearing support load (N)
		Black colour		White colour		E	A	B	C	F	S	G	I	Z	U	T	DF		C	C0	
		Closed type	Open type	Closed type	Open type												Max	Min			
1" 25,4	UCFB 205 C	84523	84524	84907	84908	41,3	126	72	46	28,6	10,5	19	17	36,5	47	49,5	50	45	14000	7800	9000
1" 1/4 31,75	UCFB 206 C	84525	84526	84909	84910	47,6	142	85	52,4	32	10,5	26,3	20,7	41,7	53,2	55,7	60	50	19500	11300	11000

MATERIALS: Support made out of black or white colour PA + glass; chrome steel or stainless steel bearing, greaser made out of nickel plated brass; reinforcement bushings and washers made out of stainless steel AISI 304; gaskets made out of NBR rubber; cover made out of polypropylene, grey colour RAL 7042.

FEATURES: Full protection of bearing against external agents. Assembly with not shouldered shafts. Maximum shaft alignment error 2.5°.

BOX QUANTITY: 8 pieces.

ON REQUEST: Versions with body in polypropylene + glass fiber and antibacterial additive; protection cover in different colors and with customized brand; box quantity according to your request; Viton gaskets, "Long life" bearings.