

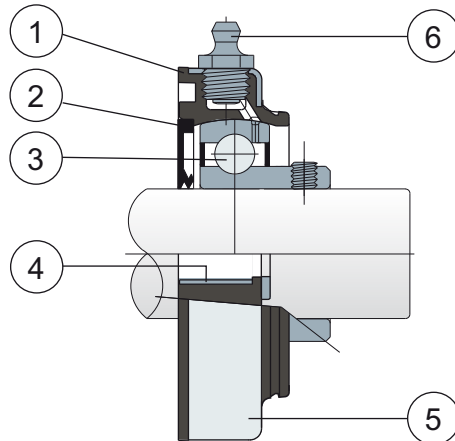


Oval flanged bearing supports

Serie **UCFL/CXA**



External cover made out of stainless steel AISI 304; without protection cover



- 1) Internal body of support made out of black colour polypropylene reinforced with glass fibers.
- 2) Back gasket made out of NBR rubber for turning shaft seal.
- 3) Chrome steel or stainless steel bearing AISI 440C.
- 4) Spacer for fixing reinforcement made out of stainless steel AISI 304.
- 5) External cover of support made out of AISI 304 stainless steel.
- 6) Greaser for relubrication made out of nickel-plated brass.

NOTE: The only difference from UCFL/CA series is lack of protection cover, which can be ordered separately as an accessory.

Maximum shaft alignment error 2,5°

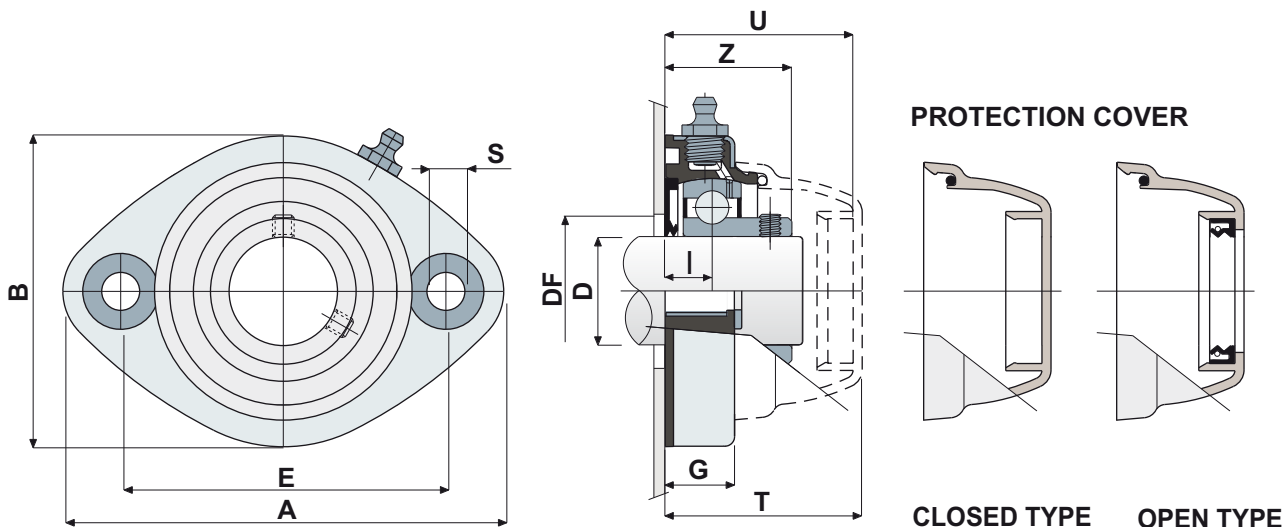
For further information please contact our technical office or sales department.



Oval flanged bearing supports

Technical data

Serie **UCFL/CXA**



CHROME STEEL BEARING																			
D	SERIES	Support CODES	DIMENSIONS (mm)											Bearing load (N)		Bearing support load	COVER CODES		
			E	A	B	S	G	I	Z	U	T	DF		C	C0	(N)	Closed type	Open type	
30	UCFL 206 CXA	84007	117	147	112	11	27	21	42	65,5	68	60	50	19500	11300	13000			80494
35	UCFL 207 CXA	84008	117	147	112	11	27	20	45,3	65,5	68	70	55	25500	15300	14000	80256		80495
40	UCFL 208 CXA	84009	117	147	112	11	27	20	48,5	65,5	68	78	65	30700	19000	15000			80257

STAINLESS STEEL BEARING AISI 440C																			
D	SERIES	Support CODES	DIMENSIONS (mm)											Bearing load (N)		Bearing support load	COVER CODES		
			E	A	B	S	G	I	Z	U	T	DF		C	C0	(N)	Closed type	Open type	
30	UCFL 206 CXA	84011	117	147	112	11	27	21	42	65,5	68	60	50	12500	11200	13000			80494
35	UCFL 207 CXA	84012	117	147	112	11	27	20	45,3	65,5	68	70	55	16600	15300	14000	80256		80495
40	UCFL 208 CXA	84013	117	147	112	11	27	20	48,5	65,5	68	78	65	20000	19000	15000			80257

VERSIONS WITH MEASURES IN INCHES

CHROME STEEL BEARING																			
D (inches)	D (mm)	SERIE	Support CODES	DIMENSIONS (mm)											Bearing load (N)		Bearing support load	COVER CODES	
				E	A	B	S	G	I	Z	U	T	DF		C	C0	(N)	Closed type	Open type
1" 1/4	31,75	UCFL 206 CXA	84522	117	147	112	11	27	21	42	65,5	68	60	50	19500	11300	13000	80256	80494

MATERIALS: Support made out of PP + glass fiber; external cover of support made out of AISI 304 stainless steel; chrome steel or stainless steel bearing; greaser made out of nickel plated brass; reinforcement bushings made out of AISI 304 stainless steel; gaskets made out of NBR rubber; protection cover made out of polypropylene grey colour RAL 7042.

FEATURES: The only difference from UCFL/CA series is lack of protection cover, which can be ordered separately as an accessory. Support body made out of polypropylene covered by an AISI 304 stainless steel later, to obtain the maximum chemical resistance to antibacterial detergents used in food processing field. More over this part is moulded without internal cavities in order to obtain the best sanitation. Assembly with not shouldered shaft. Maximum shaft alignment error 2.5°.

BOX QUANTITY: 8 pieces.

ON REQUEST: Protection covers in different colors and with customized brand; internal body in reinforced polypropylene white color; box quantity according to your request.

Self-aligning bearings with Solid body: completely closed surface to guarantee the max hygiene.