



# Oval flanged bearing supports

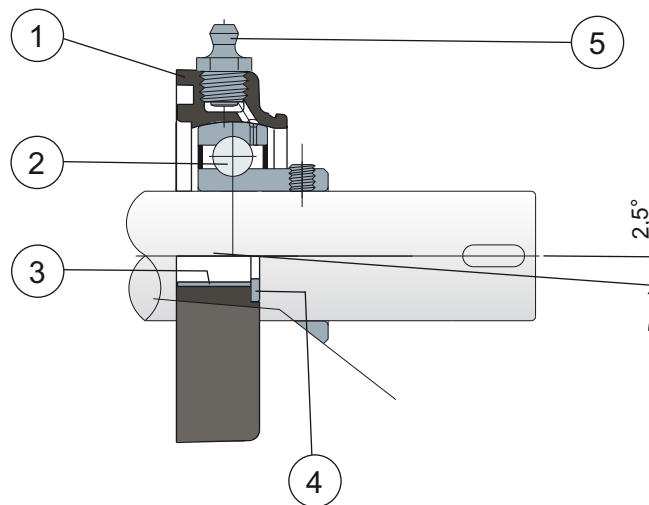
Serie **MUCFL**



**NEW**

*New product line with support body in PA white colour.*

Without cover and back gasket



- 1) Support body made out of black or white polyamide reinforced with glass fibers.
- 2) Chrome steel or stainless steel bearing AISI 440C.
- 3) Spacer for fixing reinforcement made out of stainless steel AISI 304.
- 4) UNI 6592 support washer made out of stainless steel AISI 304.
- 5) Greaser for relubrication made out of nickel-plated brass.

NOTE: The only difference from MUCFL/C series is lack of back gasket and protection cover, which can be ordered separately as accessories.

Maximum shaft alignment error 2,5°

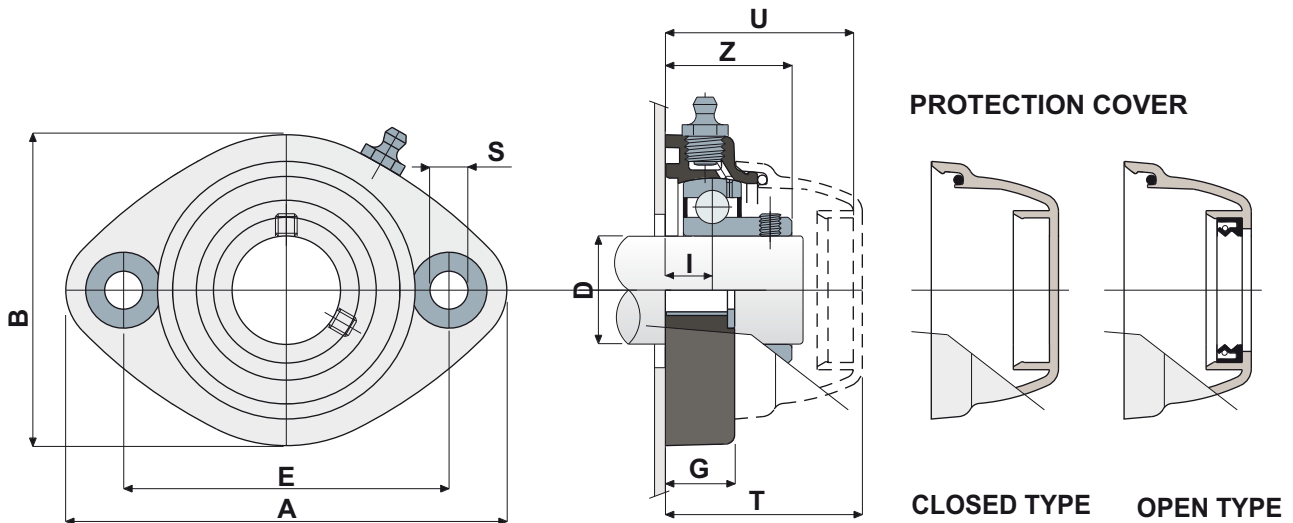
For further information please contact our technical office or sales department.



# Oval flanged bearing supports

Technical data

Serie **MUCFL**



CHROME STEEL BEARING																		
D	SERIE	Support CODES		DIMENSIONS (mm)									Bearing load (N)		Bearing support load		COVER CODES	
		Black colour	White colour	E	A	B	S	G	I	Z	U	T	C	C0	(N)	Closed type	Open type	
20	MUCFL 204	83037	84706	90	122	86	10,5	19	16	34	44	46,5	12800	6600	8500	80254	80255	
25	MUCFL 205	83038	84707	90	122	86	10,5	19	15,5	35	44	46,5	14000	7800	10000	80075	80076	
30	MUCFL 206	80542	84708	90	122	86	10,5	19	13	35	52	54,5	19500	11300	13000	82765	82764	
35	MUCFL 207	83995	84709	117	147	112	10,5	27	20	45,3	57	59,6	25500	15300	14000	80077	80078	
40	MUCFL 208	83996	84710	117	147	112	10,5	27	20	48,5	65,5	68	30700	19000	15000	80256	80257	

STAINLESS STEEL BEARING AISI 440C																		
D	SERIE	Support CODES		DIMENSIONS (mm)									Bearing load (N)		Bearing support load		COVER CODES	
		Black colour	White colour	E	A	B	S	G	I	Z	U	T	C	C0	(N)	Closed type	Open type	
20	MUCFL 204	83048	84711	90	122	86	10,5	19	16	34	44	46,5	8300	6550	8500	80254	80255	
25	MUCFL 205	83049	84712	90	122	86	10,5	19	15,5	35	44	46,5	9150	7800	10000	80075	80076	
30	MUCFL 206	83050	84713	90	122	86	10,5	19	13	35	52	54,5	12500	11200	13000	82765	82764	
35	MUCFL 207	84020	84714	117	147	112	10,5	27	20	45,3	57	59,6	16600	15300	14000	80077	80078	
40	MUCFL 208	83997	84715	117	147	112	10,5	27	20	48,5	65,5	68	20000	19000	15000	80256	80257	

## VERSIONS WITH MEASURES IN INCHES

CHROME STEEL BEARING																			
D (inches)	D (mm)	SERIE	Support CODES		DIMENSIONS (mm)									Bearing load (N)		Bearing support load		COVER CODES	
			Black colour	White colour	E	A	B	S	G	I	Z	U	T	C	C0	(N)	Closed type	Open type	
1"	25,4	MUCFL 205	84519	84985	90	122	86	10,5	19	15,5	35	44	46,5	14000	7800	10000	80075	80076	
1 1/4"	31,75	MUCFL 206	84520	84986	90	122	86	10,5	19	13	35	52	54,5	19500	11300	13000	82765	82764	

**MATERIALS:** Support made out of black or white colour PA + glass fiber; chrome steel or stainless steel bearing; greaser made out of nickel plated brass; reinforcement bushings and washers made out of stainless steel AISI 304; gaskets made out of NBR rubber; cover made out of polypropylene, grey colour RAL 7042.

**FEATURES:** The difference from MUCFL/C series is lack of back gasket and protection cover, which can be ordered separately as accessories. Assembly with shouldered and not shouldered shafts. Maximum shaft alignment error 2.5°.

**BOX QUANTITY:** 8 pieces.

**ON REQUEST:** Versions with body in polypropylene + glass fiber and antibacterial additive; protection cover in different colors and with customized brand; box quantity according to your request; Viton gaskets, "Long life" bearings.