



Oval flanged bearing supports

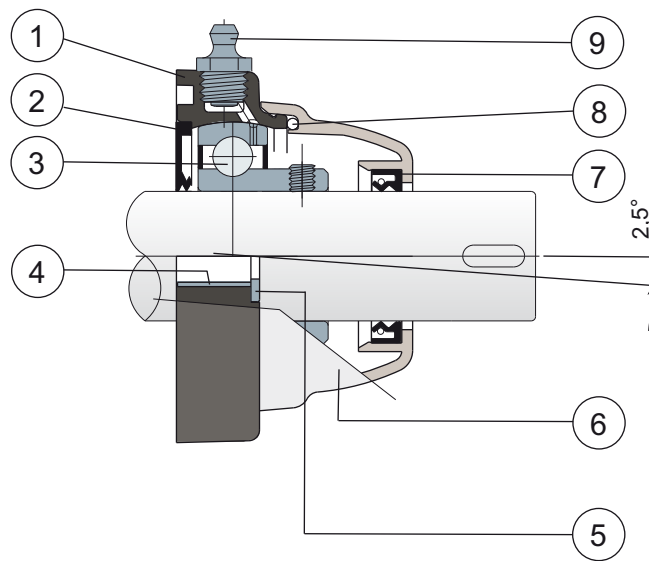
Serie **MUCFL/C**



NEW

New product line with support body in PA white colour.

Full protection of bearing



- 1) Support body made out of black or white polyamide reinforced with glass fibers.
- 2) Back gasket made out of NBR rubber for turning shaft seal.
- 3) Chrome steel or stainless steel bearing AISI 440C.
- 4) Spacer for fixing reinforcement made out of stainless steel AISI 304.
- 5) UNI 6592 support washer made out of stainless steel AISI 304.
- 6) Protection cover made out of polypropylene (grey colour Ral 7042).
- 7) Front gasket made out of NBR rubber for turning shaft seal.
- 8) OR gasket made out of NBR rubber
- 9) Greaser for relubrication made out of nickel-plated brass.

Maximum shaft alignment error 2,5°

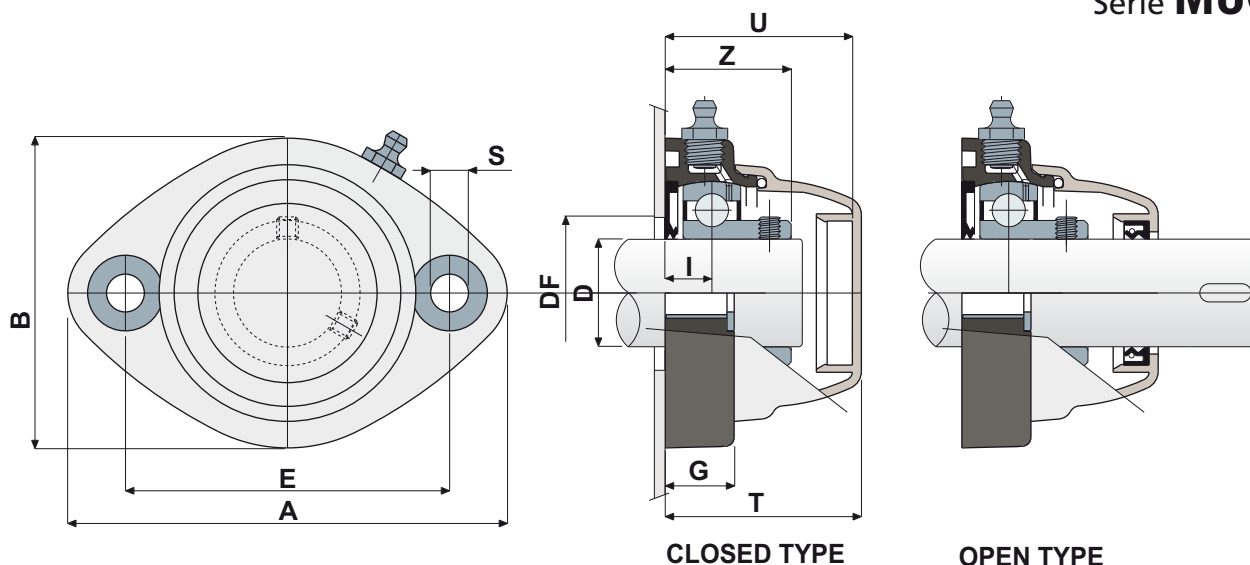
For further information please contact our technical office or sales department.



Oval flanged bearing supports

Technical data

Serie **MUCFL/C**



CHROME STEEL BEARING																			
D	SERIE	CODES				DIMENSIONS (mm)										Bearing load (N)		Bearing support load (N)	
		Black colour		White colour		E	A	B	S	G	I	Z	U	T	DF		C		CO
		Closed type	Open type	Closed type	Open type										Max	Min			
20	MUCFL 204 C	82858	82857	84676	84677	90	122	86	10,5	19	16	34	44	46,5	45	40	12800	6600	8500
25	MUCFL 205 C	82860	82859	84678	84679	90	122	86	10,5	19	15,5	35	44	46,5	50	45	14000	7800	10000
30	MUCFL 206 C	82409	82408	84680	84681	90	122	86	10,5	19	13	35	52	54,5	60	50	19500	11300	13000
35	MUCFL 207 C	84014	83989	84682	84683	117	147	112	10,5	27	20	45,3	57	59,6	70	55	25500	15300	14000
40	MUCFL 208 C	84015	83990	84684	84685	117	147	112	10,5	27	20	48,5	65,5	68	78	65	30700	19000	15000

STAINLESS STEEL BEARING AISI 440C																			
D	SERIE	CODES				DIMENSIONS (mm)										Bearing load (N)		Bearing support load (N)	
		Black colour		White colour		E	A	B	S	G	I	Z	U	T	DF		C		CO
		Closed type	Open type	Closed type	Open type										Max	Min			
20	MUCFL 204 C	82870	82869	84686	84687	90	122	86	10,5	19	16	34	44	46,5	45	40	8300	6550	8500
25	MUCFL 205 C	82868	82867	84688	84689	90	122	86	10,5	19	15,5	35	44	46,5	50	45	9150	7800	10000
30	MUCFL 206 C	82767	82766	84690	84691	90	122	86	10,5	19	13	35	52	54,5	60	50	12500	11200	13000
35	MUCFL 207 C	84017	84018	84692	84693	117	147	112	10,5	27	20	45,3	57	59,6	70	55	16600	15300	14000
40	MUCFL 208 C	84016	83991	84694	84695	117	147	112	10,5	27	20	48,5	65,5	68	78	65	20000	19000	15000

VERSIONS WITH MEASURES IN INCHES

CHROME STEEL BEARING																			
D (inches) (mm)	SERIE	CODES				DIMENSIONS (mm)										Bearing load (N)		Bearing support load (N)	
		Black colour		White colour		E	A	B	S	G	I	Z	U	T	DF		C		CO
		Closed type	Open type	Closed type	Open type										Max	Min			
1" 25,4	MUCFL 205 C	84515	84539	84979	84980	90	122	86	10,5	19	15,5	35	44	46,5	50	45	14000	7800	10000
1" 1/4 31,75	MUCFL 206 C	84516	84540	84981	84982	90	122	86	10,5	19	13	35	52	54,5	60	50	19500	11300	13000

MATERIALS: Support made out of black or white colour PA + glass fiber; chrome steel or stainless steel bearing, greaser made out of nickel plated brass; reinforcement bushings and washers made out of stainless steel AISI 304; gaskets made out of NBR rubber; cover made out of polypropylene, grey colour RAL 7042.

FEATURES: Full protection of bearing against external agents. Assembly with not shouldered shafts. Maximum shaft alignment error 2.5°.

BOX QUANTITY: 8 pieces.

ON REQUEST: Versions with body in polypropylene + glass fiber and antibacterial additive; protection cover in different colors and with customized brand; box quantity according to your request; Viton gaskets, "Long life" bearings.