

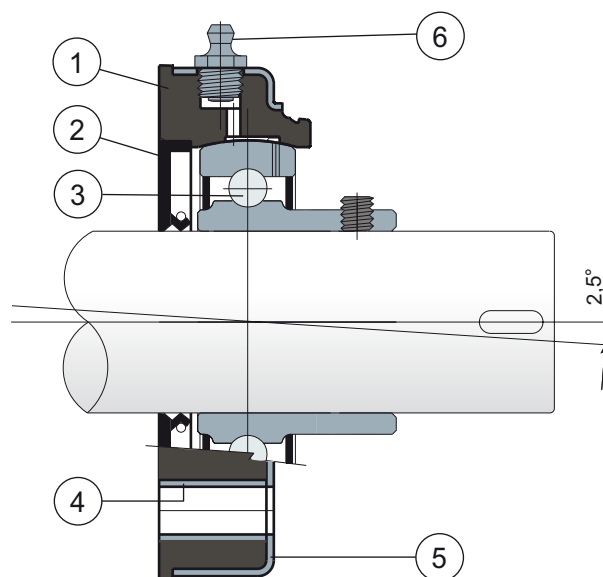


Square flanged bearing supports

Serie **UCF/CXA**



External cover made out of stainless steel AISI 304; without protection cover



- 1) Internal body of support made out of black colour polypropylene reinforced with glass fibers.
- 2) Back gasket made out of NBR rubber for turning shaft seal.
- 3) Chrome steel or stainless steel bearing AISI 440C.
- 4) Spacer for fixing reinforcement made out of stainless steel AISI 304.
- 5) External cover of support made out of AISI 304 stainless steel.
- 6) Greaser for relubrication made out of nickel-plated brass.

NOTE: The only difference from UCF/CA series is lack of protection cover, which can be ordered separately as an accessory.

Maximum shaft alignment error 2,5°

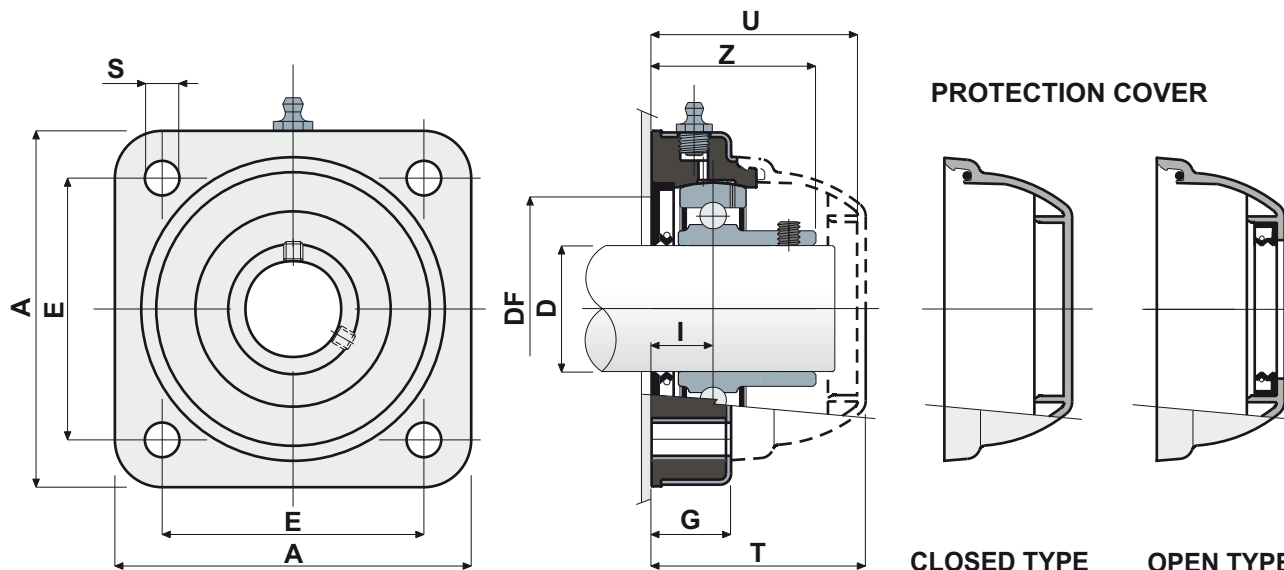
For further information please contact our technical office or sales department.



Square flanged bearing supports

Technical data

Serie **UCF/CXA**



CHROME STEEL BEARING																	
D	SERIES	Support CODES	DIMENSIONS (mm)										Bearing load (N)		Bearing support load (N)	COVER CODES	
			E	A	S	G	I	Z	U	T	DF		C	C0		Closed type	Open type
30	UCF 206 CXA	80413	83	113	11	27	20	41	65	68	60	50	19500	11300	17500	80256	80494
35	UCF 207 CXA	80479	83	113	11	27	19,5	45	65	68	70	55	25500	15300	18000	80256	80495
40	UCF 208 CXA	80414	83	113	11	27	19,5	48,5	65	68	78	65	32500	19800	18000		80257

STAINLESS STEEL BEARING AISI 440C																	
D	SERIES	Support CODES	DIMENSIONS (mm)										Bearing load (N)		Bearing support load (N)	COVER CODES	
			E	A	S	G	I	Z	U	T	DF		C	C0		Closed type	Open type
30	UCF 206 CXA	80499	83	113	11	27	20	41	65	68	60	50	12500	11200	17500	80256	80494
35	UCF 207 CXA	80500	83	113	11	27	19,5	45	65	68	70	55	16600	15300	18000	80256	80495
40	UCF 208 CXA	80501	83	113	11	27	19,5	48,5	65	68	78	65	20000	19000	18000		80257

VERSIONS WITH MEASURES IN INCHES

CHROME STEEL BEARING																		
D (inches)	D (mm)	SERIE	Support CODES	DIMENSIONS (mm)										Bearing load (N)		Bearing support load (N)	COVER CODES	
				E	A	S	G	I	Z	U	T	DF		C	C0		Closed type	Open type
1 1/4	31,75	UCF 206 CXA	84505	83	113	11	27	20	41	65	68	60	50	12500	11200	17500	80256	80494

MATERIALS: Support made out of PP + glass fiber; external cover of support made out of AISI 304 stainless steel; chrome steel or stainless steel bearing; greaser made out of nickel plated brass; reinforcement bushings made out of AISI 304 stainless steel; gaskets made out of NBR rubber; protection cover made out of polypropylene grey colour RAL 7042.

FEATURES: The only difference from UCF/CA series is lack of protection cover, which can be ordered separately as an accessory. Support body made out of polypropylene covered by an AISI 304 stainless steel later, to obtain the maximum chemical resistance to antibacterial detergents used in food processing field. More over this part is moulded without internal cavities in order to obtain the best sanitation. Assembly with not shouldered shaft. Maximum shaft alignment error 2.5°.

BOX QUANTITY: 8 pieces.

ON REQUEST: Protection covers in different colors and with customized brand; internal body in reinforced polypropylene white color; box quantity according to your request.



Self-aligning bearings with Solid body: completely closed surface to guarantee the max hygiene.