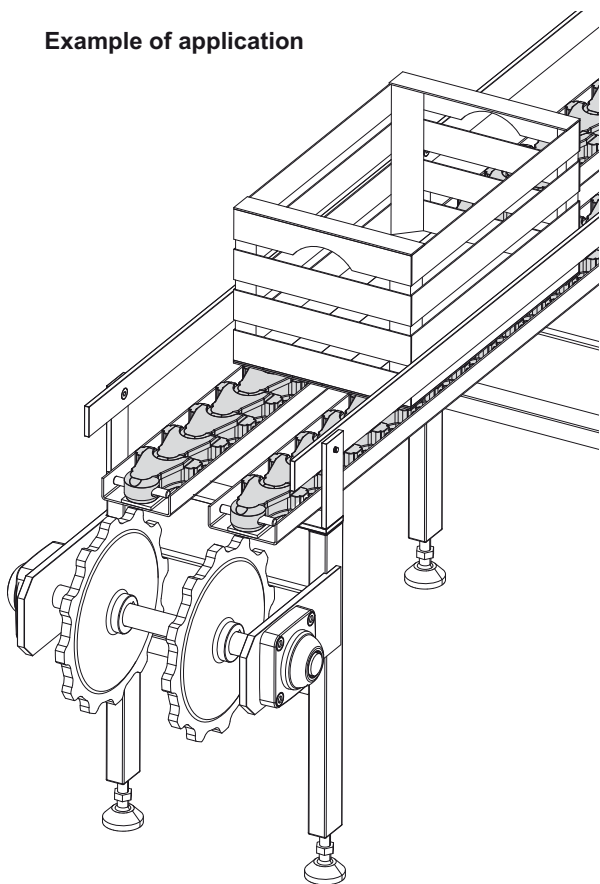
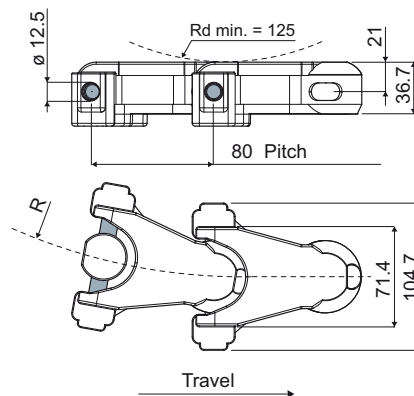


Chains and accessories

Example of application



Cardanic chain Part. 700 (sideflexing for important loads; pitch 80 mm)



Code
700 / 84113

MATERIALS: Chain made of natural acetal; notch made of polyamide; pin made of stainless steel AISI 430.

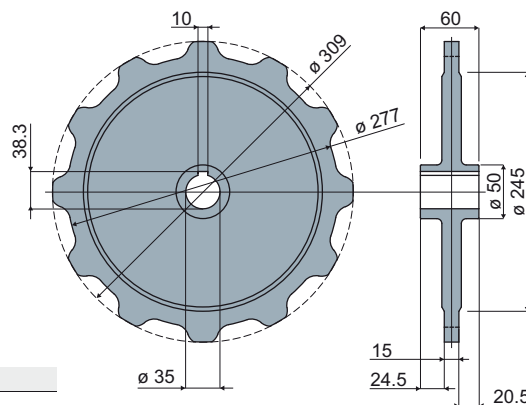
FEATURES: To be used in the conveyor systems; for important loads (breaking load: 19600 N).

BOX QUANTITY: 3,040 meters.

ON REQUEST:

- Chains: In different colors.
- Box quantities: According to your request.

Sprocket T12 Part. 704 (for cardanic chain Part. 700)



Code
704 / 84207

MATERIALS: Sprockets in zinc plated steel.

FEATURES: To be used with chain part. 700.

BOX QUANTITY: 2 pieces.

ON REQUEST:

- Sprockets: In different materials.
- Box quantities: According to your request.