

Chains and accessories

Part. 701 Sideflex chain



Code
701 / 84203

MATERIALS: Top plate made of grey acetal and roller chain made of steel.

FEATURES: To be used in the conveyor systems.

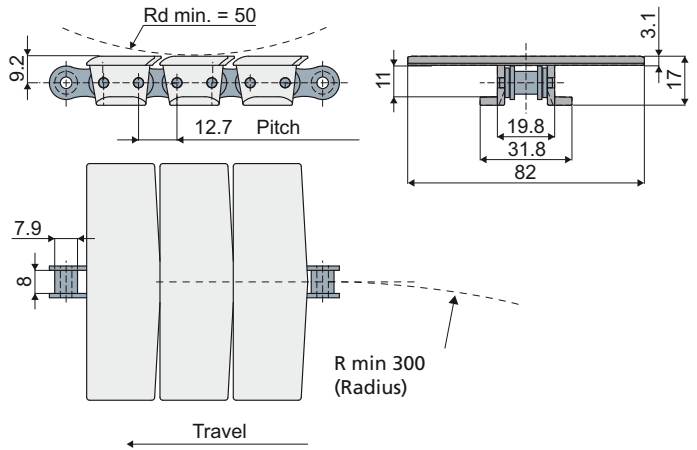
BOX QUANTITY: 3,048 meters.

ON REQUEST:

- Top plates: In polypropylene, different colors.
- Box quantities: According to your request.

ACCESSORIES:

- Sprockets: Unified for chains type ASA 40.



Part. 702 Top plate (for Part. 701)



Code
702 / 84205

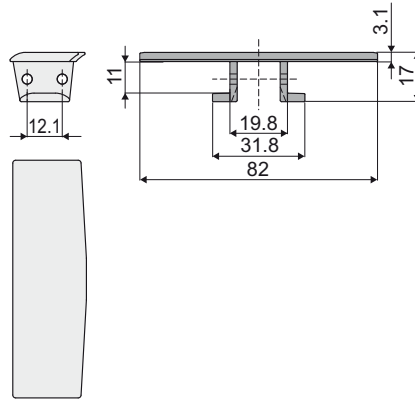
MATERIALS: Top plate made of grey acetal.

FEATURES: To be used as spare part for chain part. 701.

BOX QUANTITY: 24 pieces.

ON REQUEST:

- Top plates: In polypropylene, different colors.
- Box quantities: According to your request.



Part. 703 Sideflexing roller chain



Code
703 / 84206

MATERIALS: Roller chain made of steel.

FEATURES: To be used as spare part for chain part. 701.

BOX QUANTITY: 3,048 meters.

ON REQUEST:

- Chains: In stainless steel.
- Box quantities: According to your request.

