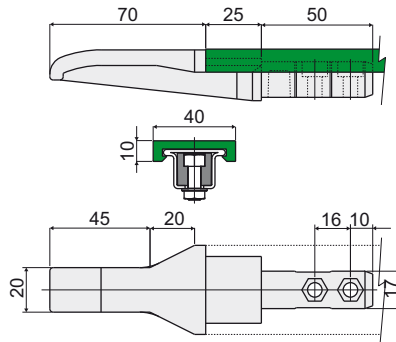


Chain guides and accessories

Part. 389 Chain inlet guide shoe (central)

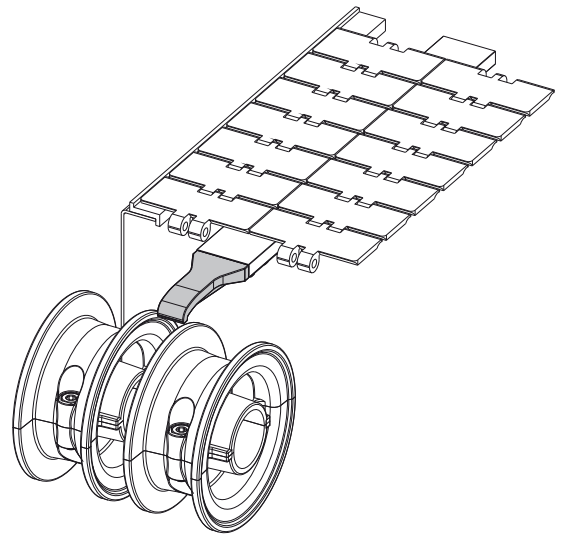


Code
389 / 84165

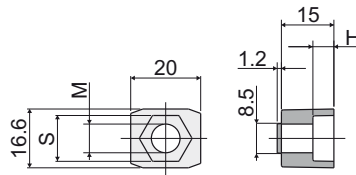
MATERIALS: Shoe in black polyamide.
FEATURES: To be assembled near to the idler wheels to drive the chain on the transport guides.
BOX QUANTITY: 20 pieces.
ON REQUEST:

- Box quantities: According to your request.

Example of application



Part. 390 Mounting block for chain guide profile

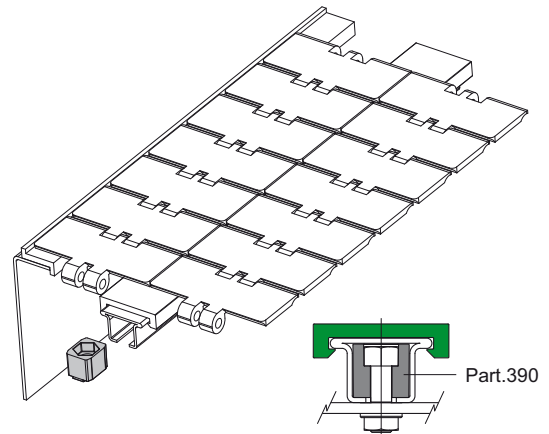


Code	M	S
390 / 84166	M6	10
390 / 84167	M8	13

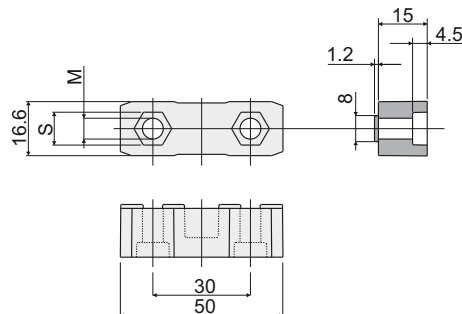
MATERIALS: Mounting block in reinforced polyamide, black colour.
FEATURES: To be used for the guide fixing on the frame.
BOX QUANTITY: 96 pieces.
ON REQUEST:

- Box quantities: According to your request.

Example of application



Part. 391 Connecting block for chain guide profile



Code	M	S
391 / 84168	M6	10
391 / 84169	M8	13

MATERIALS: Connecting block in reinforced polyamide, black colour.
FEATURES: To be used to joint the guides.
BOX QUANTITY: 48 pieces.
ON REQUEST:

- Box quantities: According to your request.

Example of application

