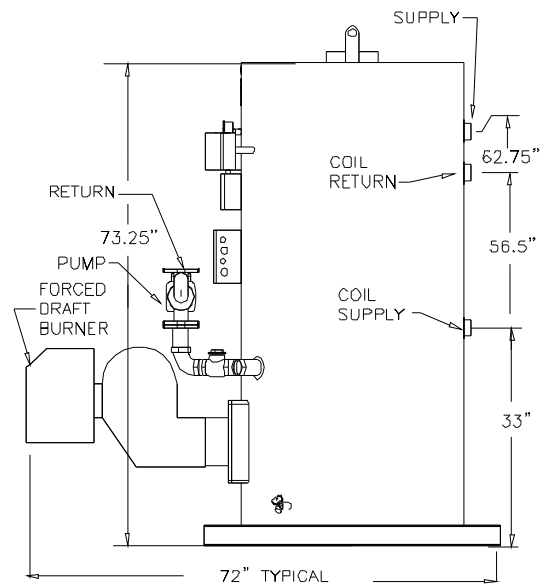
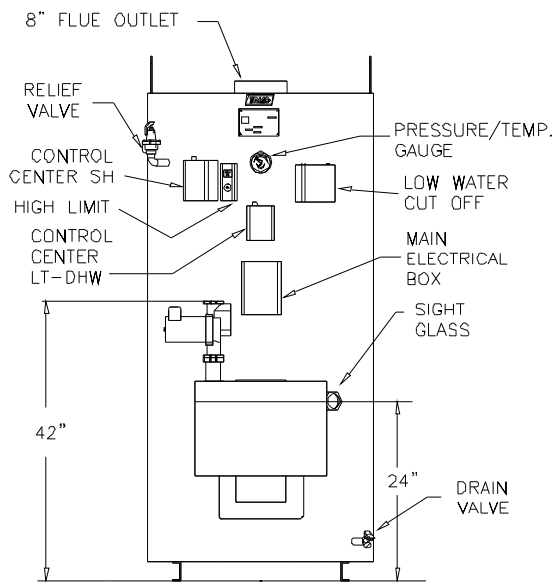
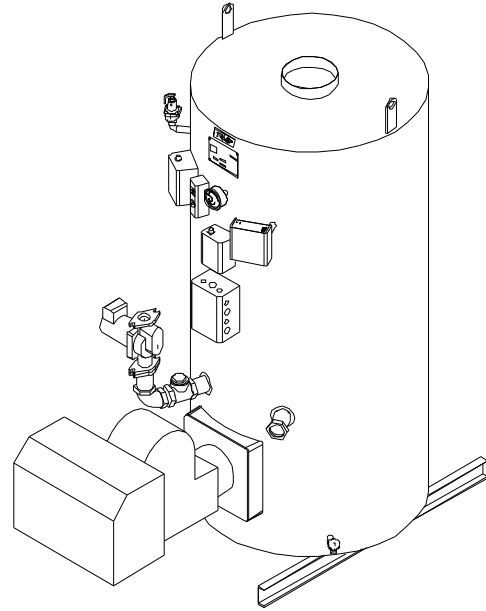
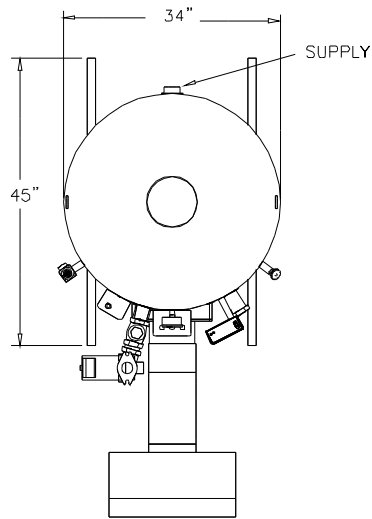




West Chicago, IL 60185  
Phone: 630-562-2700  
[www.triadboiler.com](http://www.triadboiler.com)

## TRIAD BOILER SYSTEMS, INC. SERIES 1600 SPACE HEAT and DOMESTIC HOT WATER BOILER



Note: Dimensions subject to change without notice.



**TRIAD BOILER SYSTEMS, INC.**  
**SERIES 1600 BOILER (Model 1600 SH-C-DHW)**

The Series 1600 is a steel vertical firetube packaged boiler with a water-backed combustion chamber equipped with high-efficiency turbulators. Boilers come fully wired, and fit through a 36" doorway.

**STANDARD EQUIPMENT:**

Low/High/Off Power Burner (UL Listed)  
 Circulating Pump – Vessel Water  
 Circulating Pump – Coil Water  
 Honeywell Control Centers for SH and LT  
 Low Water Cut-Off  
 Combination Pressure/Temperature Gauge  
 Operating Light  
 Relief Valve  
 Second Safety High Limit with Manual Reset  
 Vessel Pressure Rating of 125 PSI  
 UL Listed Boiler/Burner Package.

**OPTIONAL EQUIPMENT:**

Gas Fired (NG or Propane), Oil Fired, or Dual Fuel Burners  
 UL, IRI, FM and CSD-1 Compliance  
 Low-High-Low and Modulating Gas Trains  
 Sealed Combustion Air Intake  
 Barometric Dampers  
 LWCO with Manual or Auto Reset, Test Light, and/or Test Button

**SPECIFICATIONS:**

<i>Input BTU/Hr</i>	<i>Output BTU/Hr</i>	<i>Efficiency</i>	<i>GPM @ °F Rise Vessel Side</i>	<i>GPM @ °F Rise Coil Side</i>
1,400,000	1,162,800	83.0%	116.7 @ 20°F	16.5 @ 100°F
1,500,000	1,245,000	83.0%	100.0 @ 25°F	16.5 @ 100°F
1,600,000	1,328,000	83.0%	106.7 @ 25°F	16.5 @ 100°F
1,700,000	1,411,000	83.0%	113.3 @ 25°F	16.5 @ 100°F

Note: Typical for Natural Gas. - Oil or LP burner data may vary.

**APPLICATIONS:**

Space Heating – typically 130°F -210°F  
 Domestic Hot Water – typically 120°F - 180°F

**CLEARANCES & CONNECTIONS:**

Clearance recommended between boilers - 6"; From front of burner for service – 10".  
 Supply & Return Openings – 2.00"

**CONTROL:**

The Series 1600 can operate on its own controls, but a TRIAD microprocessor control panel is recommended for sequencing more than two boilers to minimize run-time and fuel usage.

**Flue:** Category I when applied appropriately.

**POWER:** 120V, 60Hz, Single Phase, fused for 30 amps. Min / Max gas pressure, typically 5.9" / 14" WC

**WEIGHT/VOLUME:**

Shipping Weight – 1700 lbs.  
 Operating Weight – 3037 lbs.  
 Water Volume – 109 gallons

ALL BURNER EQUIPMENT UL APPROVED

**TRIAD BOILER REPRESENTATIVE:**

**TRIAD Boiler Systems, Inc.**

West Chicago, IL 60185  
 Phone: 630-562-2700  
 Fax: 630-562-2800  
 Web: www.com.com