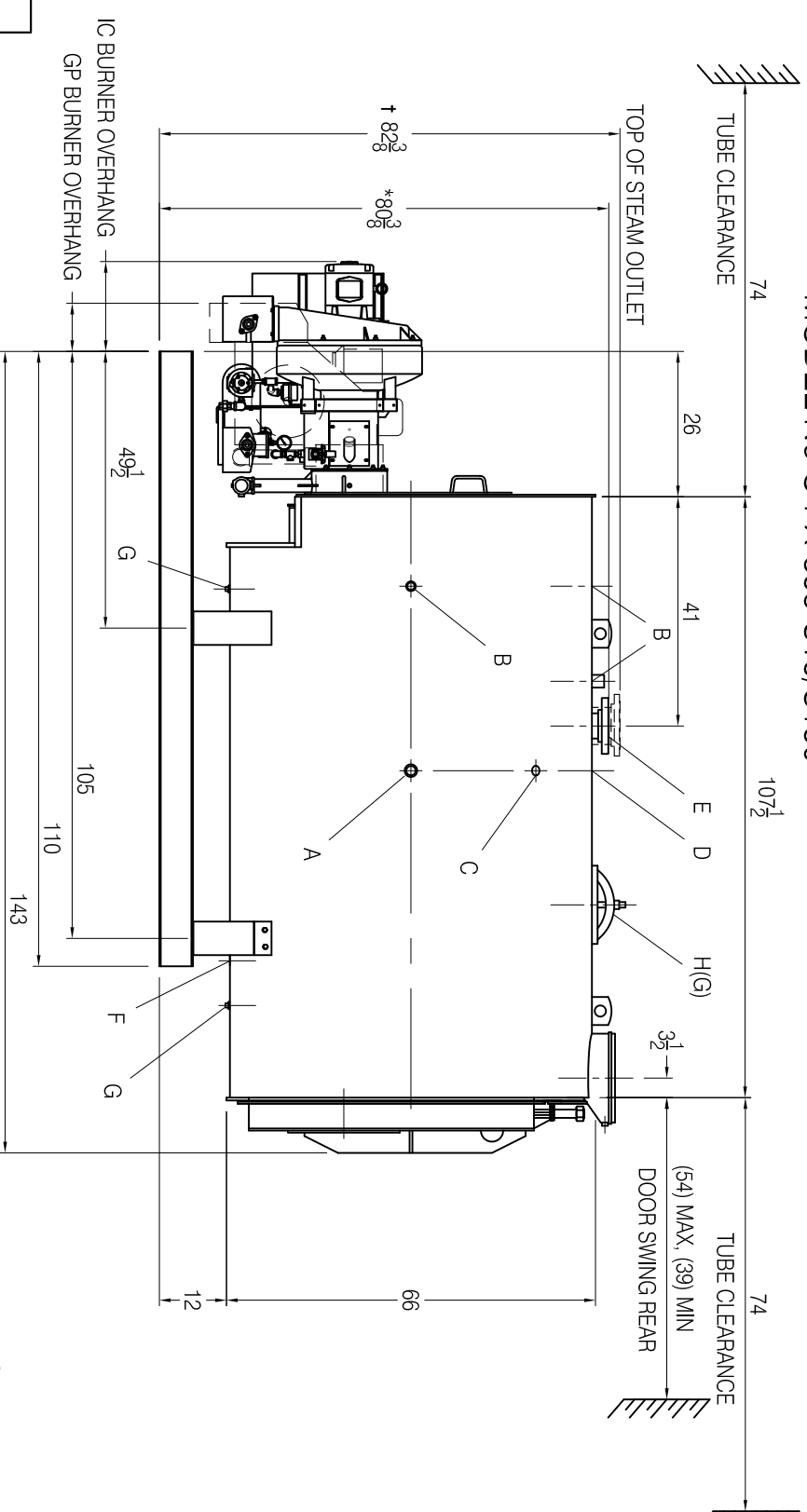
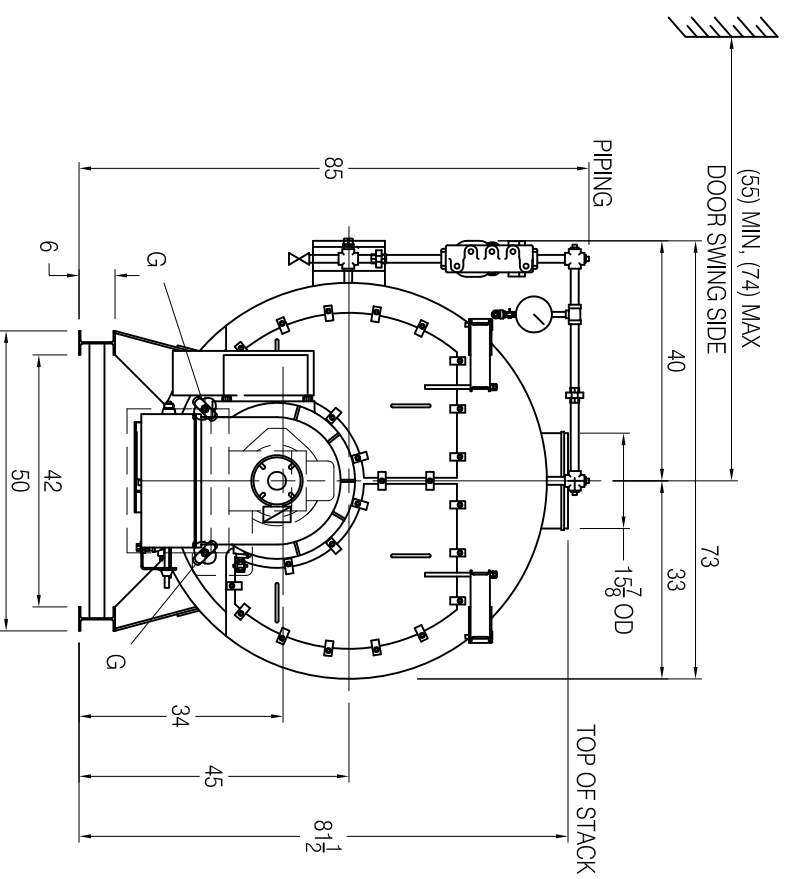


OHIO SPECIAL

3 PASS
DRY BACK

DIMENSIONAL DATA
STEAM BOILER
15 / 150 PSIG

MODEL No O4-X-353-S15/S150



- NOTES:**
- All Units Manufactured To UL Listing Procedures.
 - Steam Output-Based On Steam From And At 212°F.
 - Shipping Weights Are Based On Units With Natural Gas Burners Without Gas Train - Weights Of Units For Air Atomized Oil Or Combination Gas/Oil Firing Will Be Higher.

RATINGS & CAPACITIES

NOMINAL BOILER HORSEPOWER	80	100	125
OUTPUT MBH	2678	3348	4184
STEAM LBS/HR (#2)	2760	3450	4312
INPUT GAS (1,000 BTU) FT ³	3347	4185	5230
OIL (140,000 BTU) GAL.	23.91	29.89	37.35
DESIGN PRESSURE PSIG	15 / 150		
FURNACE VOLUME FT ³	19.87 / 18.88	19.87 / 18.88	19.87 / 18.88
STEAM STORAGE VOLUME FT ³	11.00	11.00	11.00
STEAM DISENGAGING AREA FT ²	23.46	23.46	23.46
WATER CAPACITY NWL GAL.	637 / 645	637 / 645	637 / 645
WATER WEIGHT NWL LBS.	5301 / 5368	5301 / 5368	5301 / 5368
WATER CAPACITY FULL GAL.	720 / 728	720 / 728	720 / 728
WATER WEIGHT FULL LBS.	5987 / 6054	5987 / 6054	5987 / 6054
SHIPPING WEIGHT W/GP BURNER	9300 / 9500	9300 / 9500	9400 / 9600
SHIPPING WEIGHT W/IC BURNER	9600 / 9800	9600 / 9800	10000 / 10200

BURNER OVERHANG

NOMINAL BOILER HORSEPOWER	80	100	125
GORDON-PIATT	-	3	14
INDUSTRIAL COMBUSTION	15	15	17

DIMENSIONS

NOMINAL BOILER HORSEPOWER	LOW PRESSURE			HIGH PRESSURE		
	80	100	125	80	100	125
CONNECTIONS:	A	1 1/4	1 1/4	1 1/4	1 1/4	1 1/4
Feedwater-Right/Left
Low Water Cut Off Conn-	B	1	1	1	1	1
Right/Left And Top	C	1	1	1	1	1
Surface Blowoff-Right	D	1 1/2	1 1/2	1 1/2	1 1/2	1 1/2
Auxiliary Conn-Top	E	6†	6†	6†	6†	6†
Steam Nozzle	F	1 1/2	1 1/2	1 1/2	1 1/2	1 1/2
Blowdown Rear
ACCESS OPENINGS:	G	5	5	5	4	4
Handholes 3" x 4"
Manway 12" x 16"	H	-	-	-	1	1

† 150# RF Flange

* 300# RF Flange

STANDARD FEATURES:

- Units Designed And Fabricated To ASME Boiler And Pressure Vessel Code Requirements. Section IV-15 psig. Section I-150 psig.
- Insulated With 2"-8 Lb. Density Mineral Fiber Insulation.
- Jacket Material 22 Gauge Galvanized-Phosphate Coated Steel.
- Dawided Doors: Front/Rear-All Units.
- Rear Access Plug: 17" Dia.
- Handholes: 3" x 4" (4) Section I (5) Section IV.
- Manway: 12" x 16" (1) Section I Units.
- Surface Blowdown Connection.

STANDARD TRIM:

- ASME Safety Valve(s)
- Water Column W/Water Level Gauge Glass, Try Cocks (As Req'd), Low Water Cutoff/Pump Control, Blowdown Valve.
- Auxiliary Low Water Cutoff, Probe In Shell.
- Operating Pressure Control.
- High Limit Pressure Control (Manual Reset)
- Firing Rate Control (Hi-Lo-Off or Modulating Firing Only)
- Pressure Gauge W/Shutoff And Inspectors Gauge Cocks.
- Control Circuit Terminal Strips.

All Dimensions Are Approximate And May Be Used For Layout Only.
SUPERIOR BOILER WORKS, Inc Reserves The Right To Change Dimensions
Due To Product Revisions Or Job Requirements.