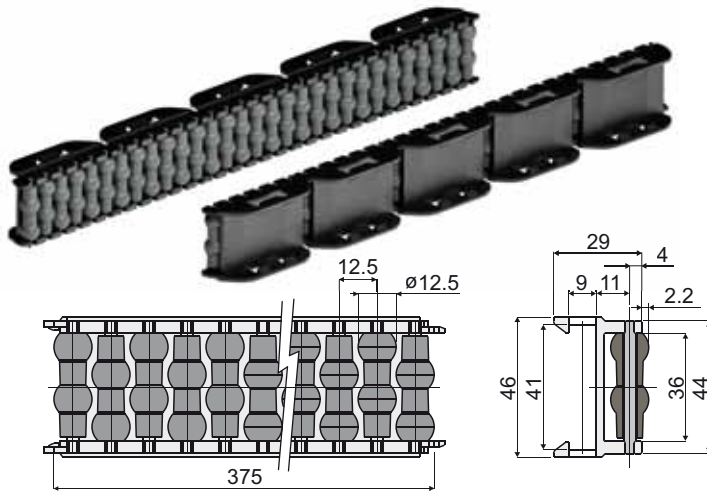


# Product guides and accessories

## Part. 345

### Roller side guide (375 mm modules with pearls)



Code

345 / 83380

**MATERIALS:** Rollers in polyamide grey colour; support pins and modules in acetal resin black colour.

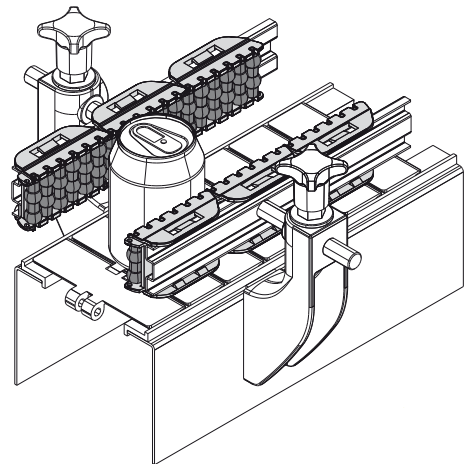
**FEATURES:** Supplied already assembled, in modules of 375 mm length, for 40x8 mm plate. Min. curvature radius: ext = 500 mm; int. = 350 mm.

**BOX QUANTITY:** 12 pieces.

**ON REQUEST:**

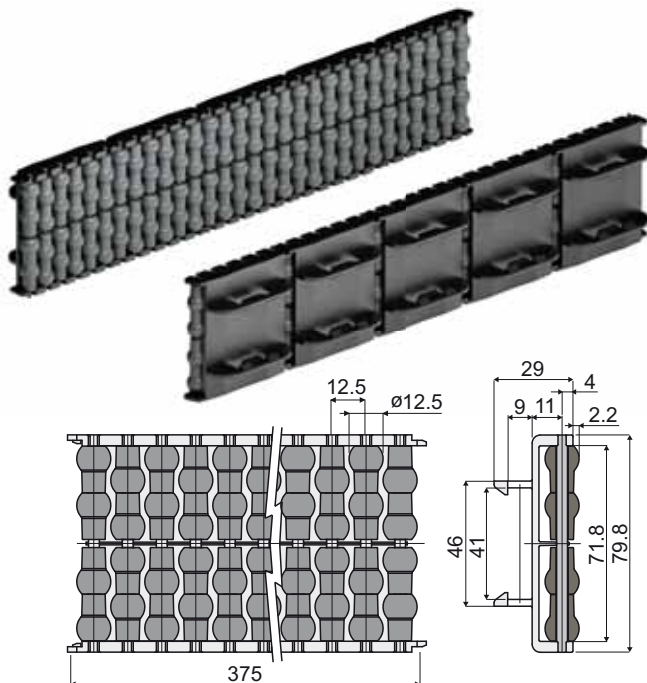
- Module and rollers: can be produced in other colours.
- Box quantity: According to your request.

#### Example of application



## Part. 423

### Roller side guide (double type 375 mm modules, with pearls)



Code

423 / 84818

**MATERIALS:** Rollers in polyamide grey colour; support pins and modules in acetal resin black colour.

**FEATURES:** Supplied already assembled, in modules of 375 mm length, for 40x8 mm plate. Min. curvature radius: ext = 500 mm; int. = 350 mm.

**BOX QUANTITY:** 12 pieces.

**ON REQUEST:**

- Module and rollers: Can be produced in other colours.
- Box quantity: According to your request.

#### Example of application

