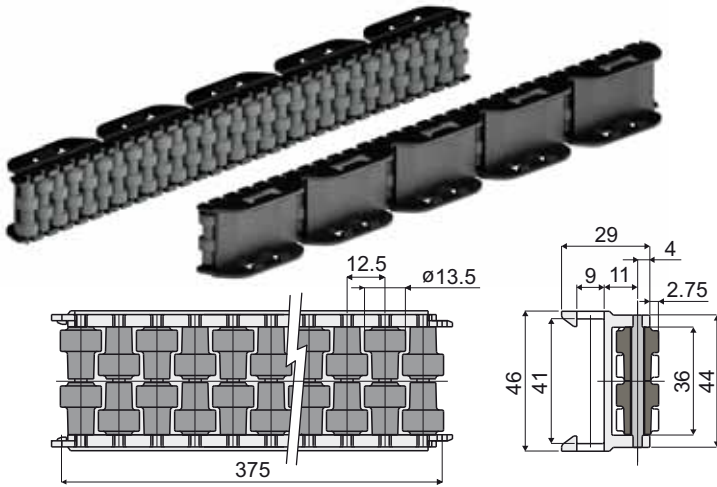


# Product guides and accessories

## Part. **344** Roller side guide (375 mm modules with small cylinders)

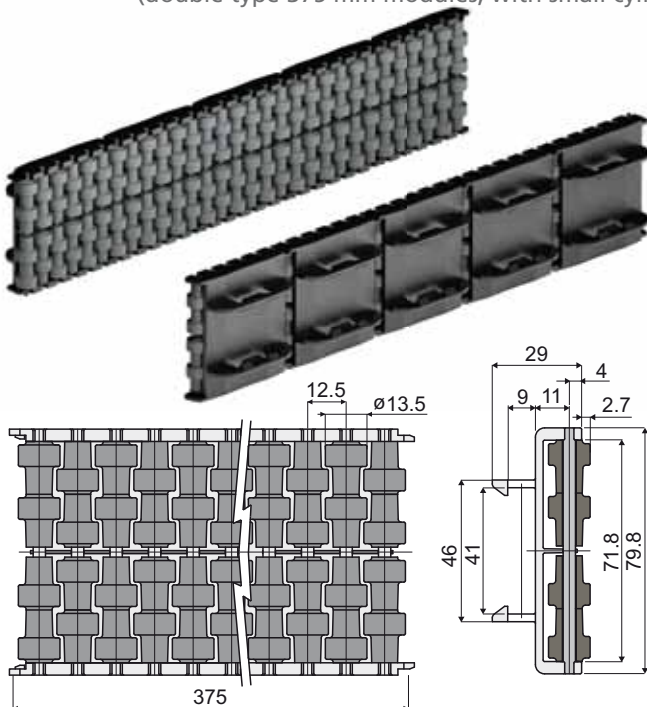


Code  
344 / 83372

**MATERIALS:** Rollers in polyamide grey colour; support pins and modules in acetal resin black colour.  
**FEATURES:** Supplied already assembled, in modules of 375 mm length, for 40x8 mm plate. Min. curvature radius: ext = 500 mm; int. = 350 mm  
**BOX QUANTITY:** 12 pieces.  
**ON REQUEST:**

- Module and rollers: can be produced in other colours.
- Box quantity: According to your request.

## Part. **421** Roller side guide (double type 375 mm modules, with small cylinders)

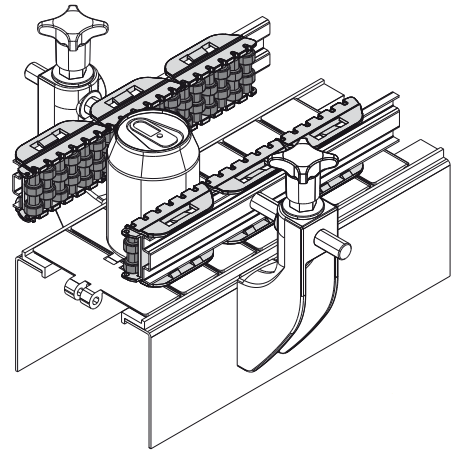


Code  
421 / 84816

**MATERIALS:** Rollers in polyamide grey colour; support pins and modules in acetal resin black colour.  
**FEATURES:** Supplied already assembled, in modules of 375 mm length, for 40x8 mm plate. Min. curvature radius: ext = 500 mm; int. = 350 mm.  
**BOX QUANTITY:** 12 pieces.  
**ON REQUEST:**

- Module and rollers: Can be produced in other colours.
- Box quantity: According to your request.

Example of application



Example of application

