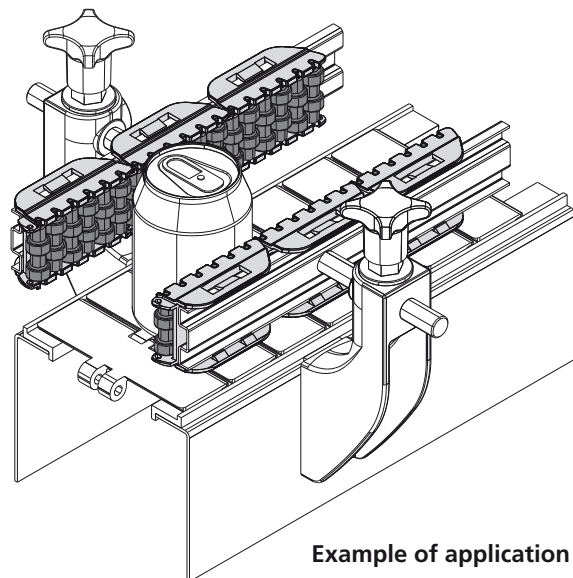
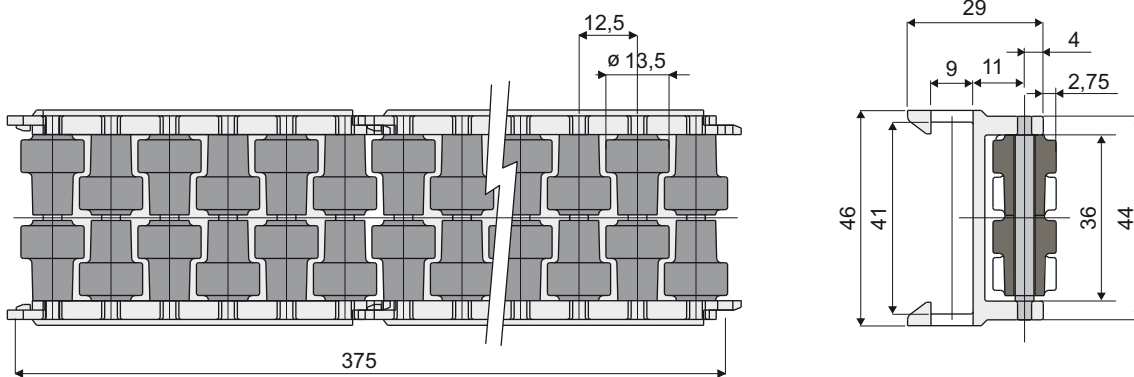


# Product guides and accessories

Part. **344** **Roller side guide**  
(375 mm modules with small cylinders)



Example of application

Code  
344 / 83372

**MATERIALS:** Rollers in polyamide grey colour;  
support pins and modules in acetal resin black colour.

**FEATURES:** Supplied already assembled, in modules of 375 mm length, for 40x8 mm plate.  
Min. curvature radius: ext = 500 mm; int. = 350 mm.

**BOX QUANTITY:** 12 pieces.

**ON REQUEST:**

- Module and rollers: can be produced in other colours
- Box quantity: According to your request.