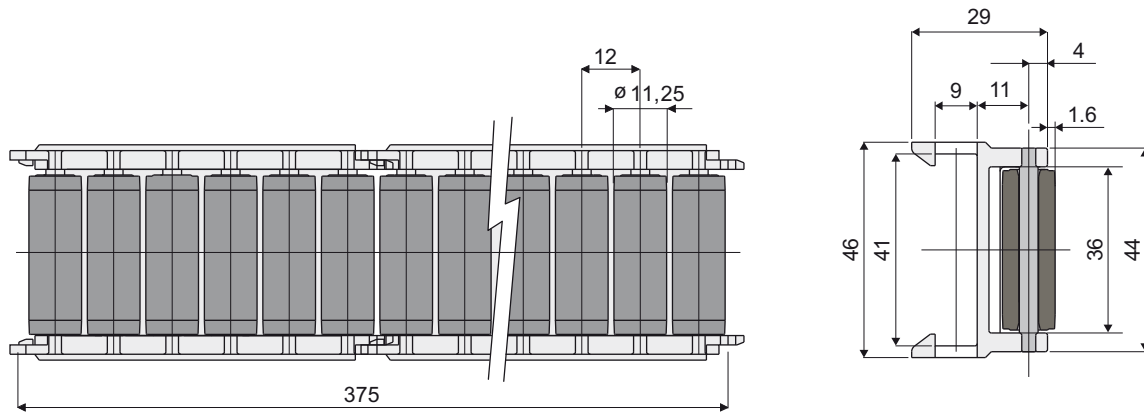


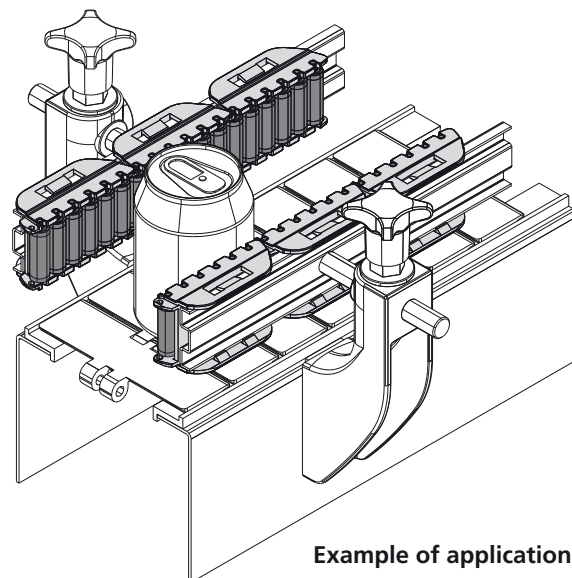
Product guides and accessories

Roller side guide
(375 mm modules, with cylinders)

Part. **339**



Code
339 / 83319



Example of application

MATERIALS: Rollers in polyamide grey colour; support pins and modules in acetal resin black colour.

FEATURES: Supplied already assembled, in modules of 375 mm length, for 40x8 mm plate. Min. curvature radius: ext = 500 mm; int. = 350 mm.

BOX QUANTITY: 12 pieces.

ON REQUEST:

- **Module and rollers:** Can be produced in other colours.
- **Box Quantity:** According to your request.