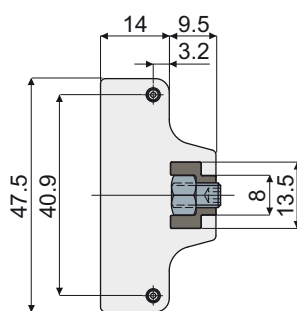
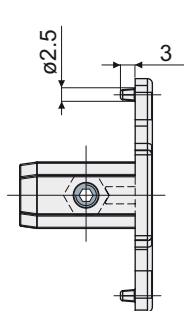


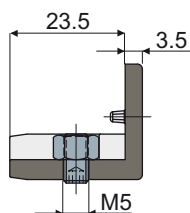
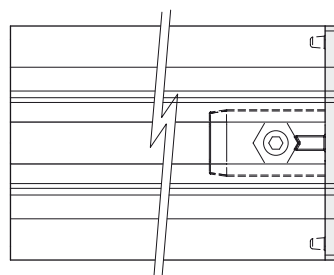
# Product guides and accessories

**Closing cap**  
(for roller side guide, single type)

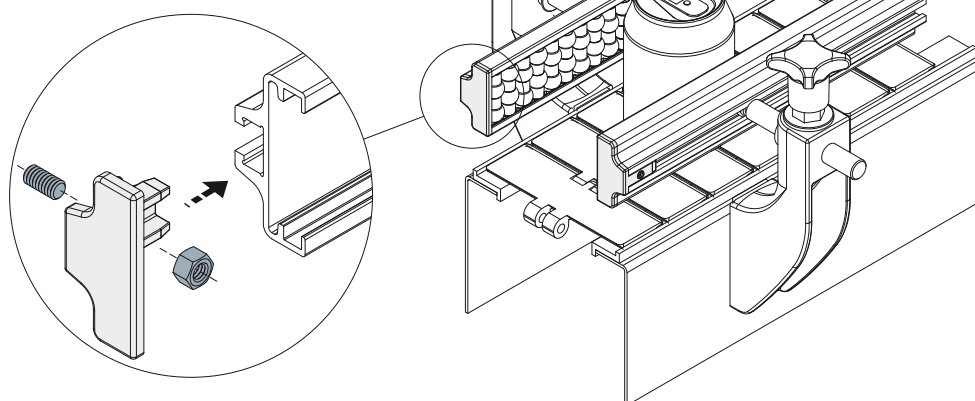
Part. **415**



Example of application



Example of application



Code

415 / 84547

**MATERIALS:** Cap in reinforced polyamide grey colour; nut and grub screw in stainless steel AISI 304.

**FEATURES:** To be used as a closure cap at the extremities of the roller side guides.

**BOX QUANTITY:** 24 pieces.

**ON REQUEST:**

- **BOX QUANTITY:** According to your request.