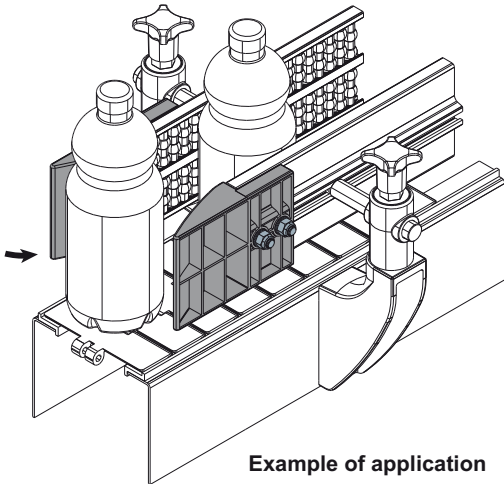
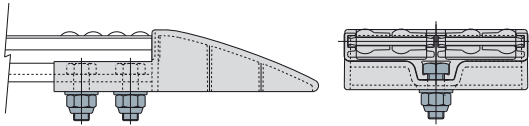


Product guides and accessories

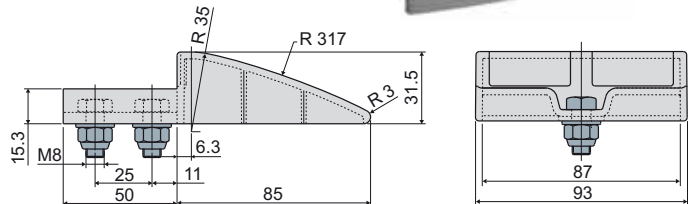
Example of application



Example of application

Separation Block for roller side guide (double type)

Part. **342**

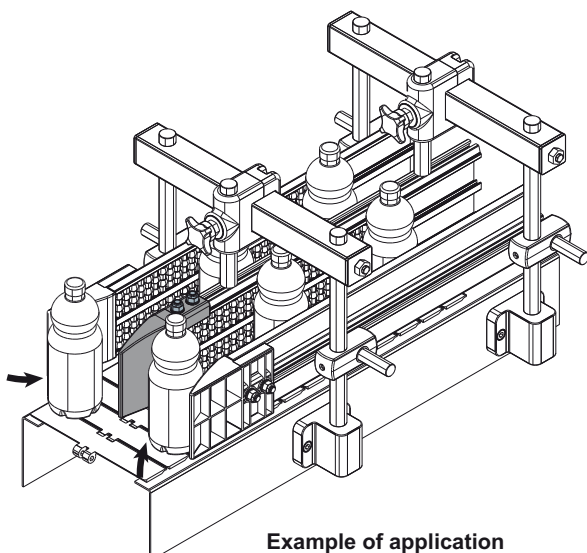
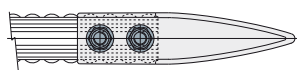
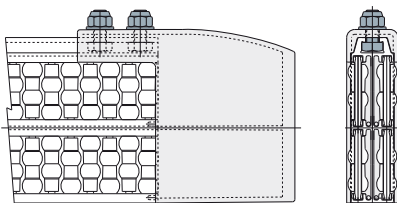


Code
342 / 83361

MATERIALS: Separation block is made of polyethylene, grey colour; bolts and nuts in stainless steel AISI 304.
FEATURES: Supplied complete with bolts and nuts. To be used at the end of the roller side guides, to help the arrival of the products.
BOX QUANTITY: 8 pieces.
ON REQUEST:

- Separation blocks: Other colours.
- Box Quantity: According to your request

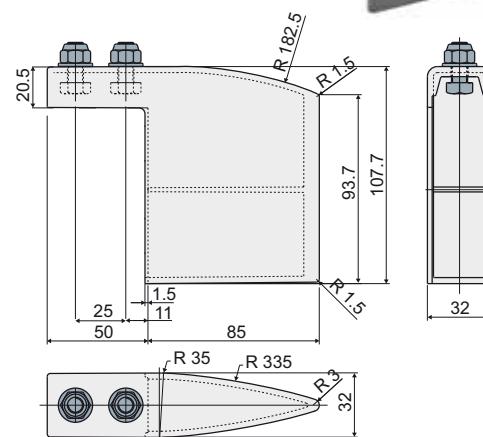
Example of application



Example of application

Separation Block for roller central guide (double type)

Part. **343**



Code
343 / 83363

MATERIALS: Separation block is made of polyethylene, grey colour; bolts and nuts in stainless steel AISI 304.
FEATURES: Supplied complete with bolts and nuts. To be used at the end of the roller side guides, to help the arrival of the products.
BOX QUANTITY: 8 pieces.
ON REQUEST:

- Separation blocks: Other colours.
- Box Quantity: According to your request