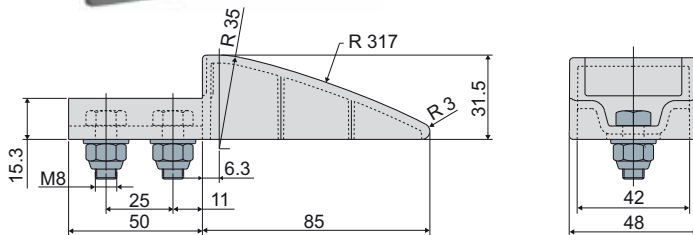


# Product guides and accessories

## Part. 340 Separation Block for roller side guide (single type)

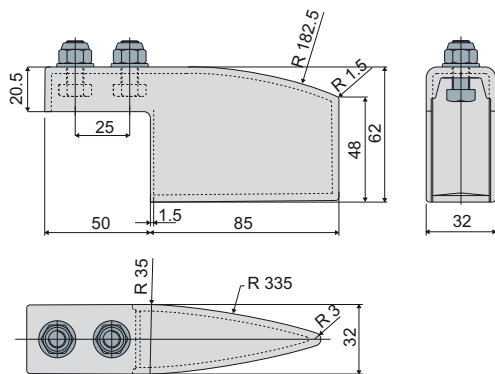


Code  
340 / 83357

**MATERIALS:** Separation block is made of polyethylene, grey colour; bolts and nuts in stainless steel AISI 304.  
**FEATURES:** Supplied complete with bolts and nuts.  
 To be used at the end of the roller side guides, to help the arrival of the products.  
**BOX QUANTITY:** 8 pieces.  
**ON REQUEST:**

- Separation blocks: Other colours.
- Box Quantity: According to your request

## Part. 341 Separation Block for roller central guide (single type)

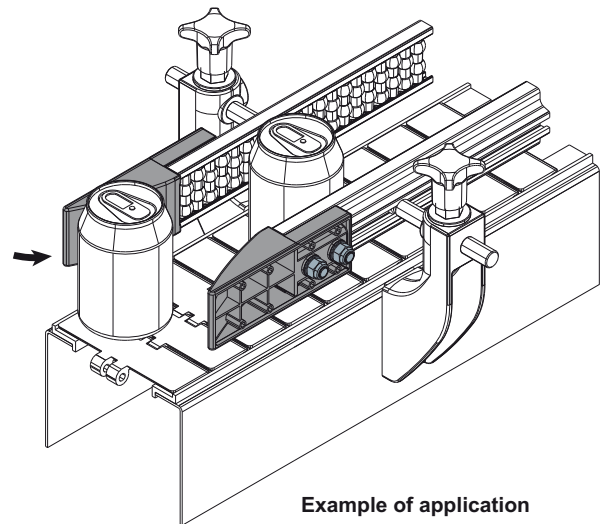
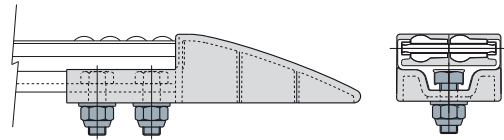


Code  
341 / 83359

**MATERIALS:** Separation block is made of polyethylene, grey colour; bolts and nuts in stainless steel AISI 304.  
**FEATURES:** Supplied complete with bolts and nuts. To be used at the end of the roller side guides, to help the arrival of the products.  
**BOX QUANTITY:** 8 pieces.  
**ON REQUEST:**

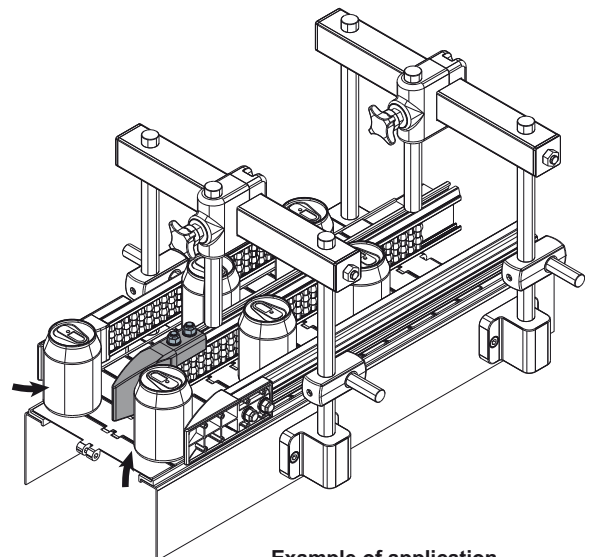
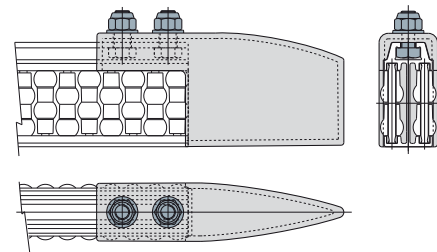
- Separation blocks: Other colours.
- Box Quantity: According to your request

Example of application



Example of application

Example of application



Example of application