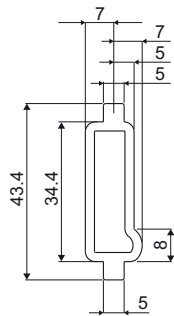


Product guides and accessories

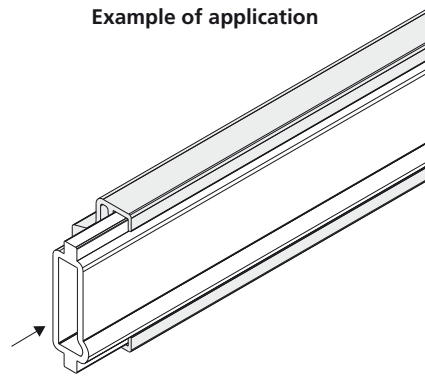
Part. 329 Guide profile for products



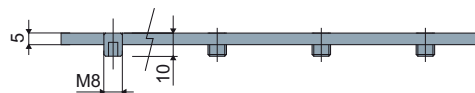
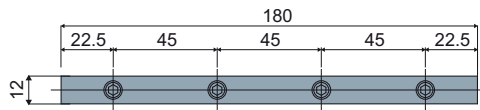
Code
329 / 83007

MATERIALS: Profile made of natural polyethylene white colour.
FEATURES: Supplied in bars of 3 meters length. To be used with side guides Part.320, 321, 322, 323.
BOX QUANTITY: 6 bars of 3 meters (total 18 meters).
ON REQUEST:

- Box Quantity: According to your request.



Part. 318 Connecting bar for roller guides



Code
318 / 82913

MATERIALS: Bar is made of zinc plated steel supplied with 4 screws M8x10.
FEATURES: To be used for connecting the metal profiles of Part. 306, 307, 308, 319, 325, 326, 327, 328, 320, 321, 322, 323.
BOX QUANTITY: 8 pieces.
ON REQUEST:

- Box Quantity: According to your request.

