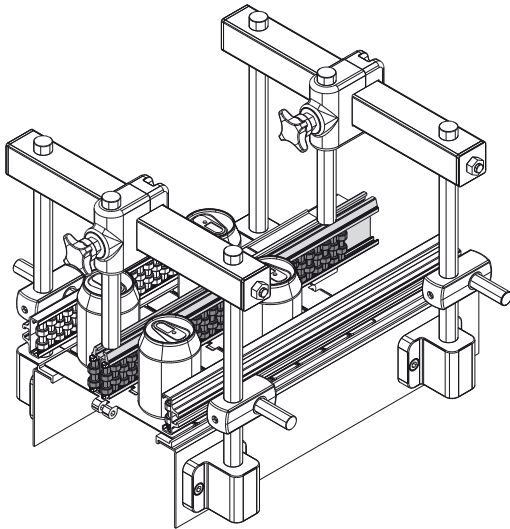


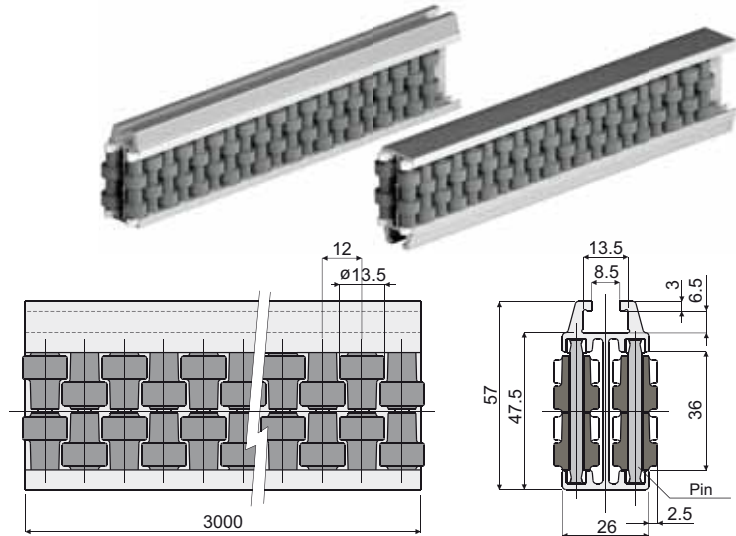
# Product guides and accessories

Example of application



## Roller central guide (single type, with round rollers)

Part. **357**



Pin in acetal resin	Pin in stainless steel AISI 304
Code	Code
357 / 83475	357 / 84559

**MATERIALS:** Roller side guide with metal profile in anodized aluminium; rollers in polyamide grey colour; support pins in acetal resin white colour or stainless steel AISI 304.

**FEATURES:** Supplied already assembled, in bars of 3 meters length.

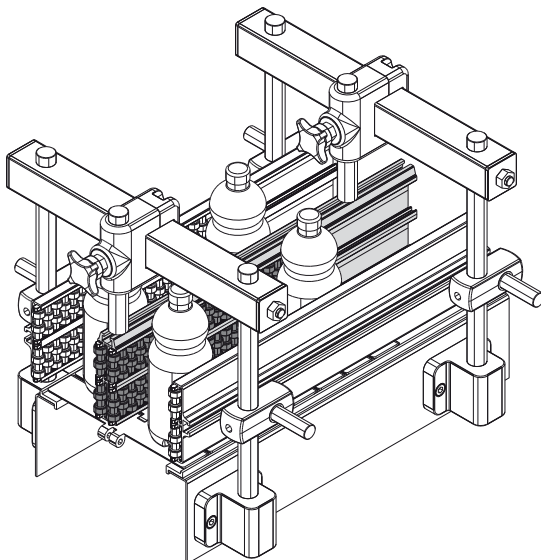
Min. curvature radius: 500 mm.

**BOX QUANTITY:** 2 bars of 3 meters (total 6 meters).

**ON REQUEST:**

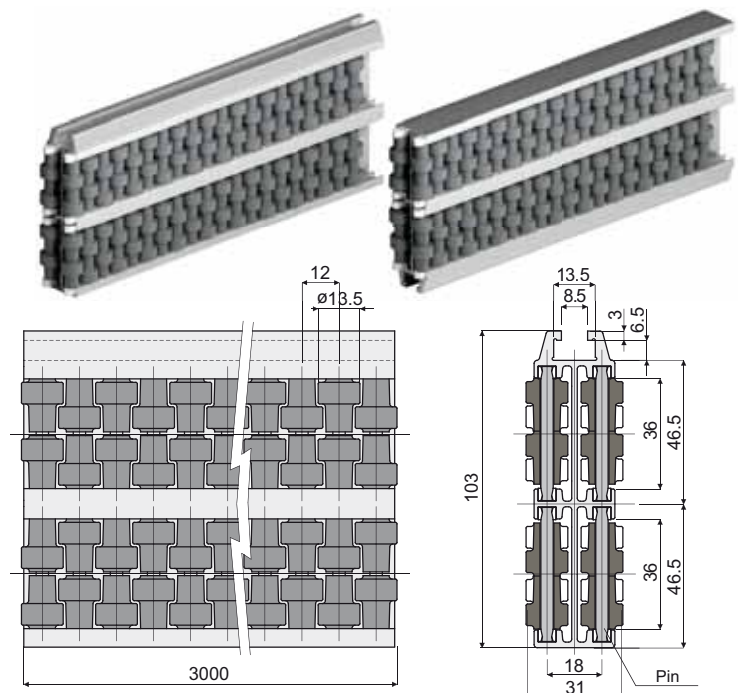
- Roller side guide: Other colours.

Example of application



## Roller central guide (double type, with round rollers)

Part. **358**



Pin in acetal resin	Pin in stainless steel AISI 304
Code	Code
358 / 83476	358 / 84560

**MATERIALS:** Roller side guide with metal profile in anodized aluminium; rollers in polyamide grey colour; support pins in acetal resin white colour or stainless steel AISI 304.

**FEATURES:** Supplied already assembled, in bars of 3 meters length.

Min. curvature radius: 750 mm.

**BOX QUANTITY:** 2 bars of 3 meters (total 6 meters).

**ON REQUEST:**

- Roller side guide: Other colours.