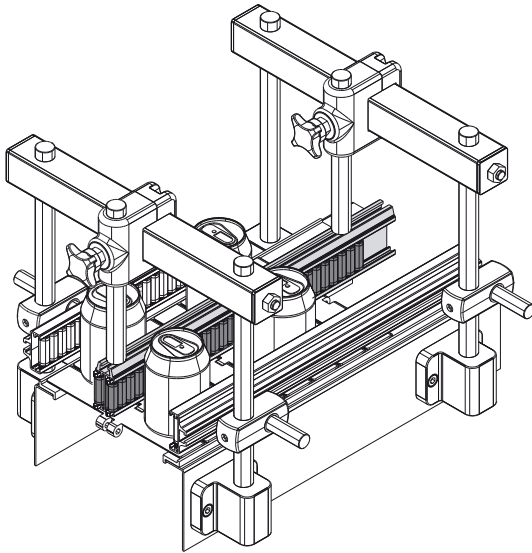


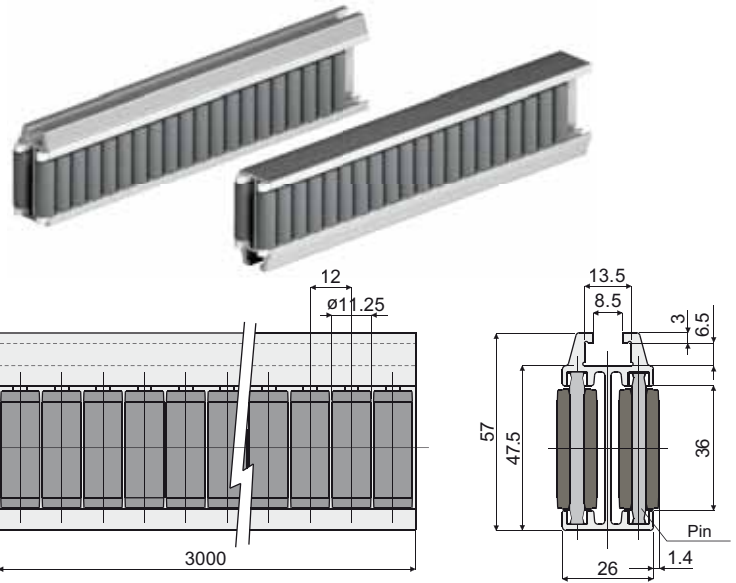
# Product guides and accessories

Example of application



## Roller central guide (single type, with cylinders)

Part. **327**



Pin in acetal resin	Pin in stainless steel AISI 304
Code	Code
327 / 83005	327 / 84555

**MATERIALS:** Roller central guide with metal profile in anodized aluminium; rollers in polyamide grey colour; support pins in acetal resin white colour or stainless steel AISI 304.

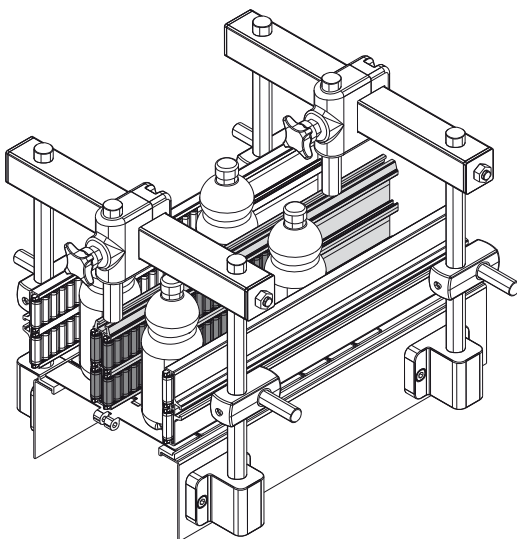
**FEATURES:** Supplied already assembled, in bars of 3 meters length.  
Min. curvature radius: 500 mm.

**BOX QUANTITY:** 2 bars of 3 meters (total 6 meters).

**ON REQUEST:**

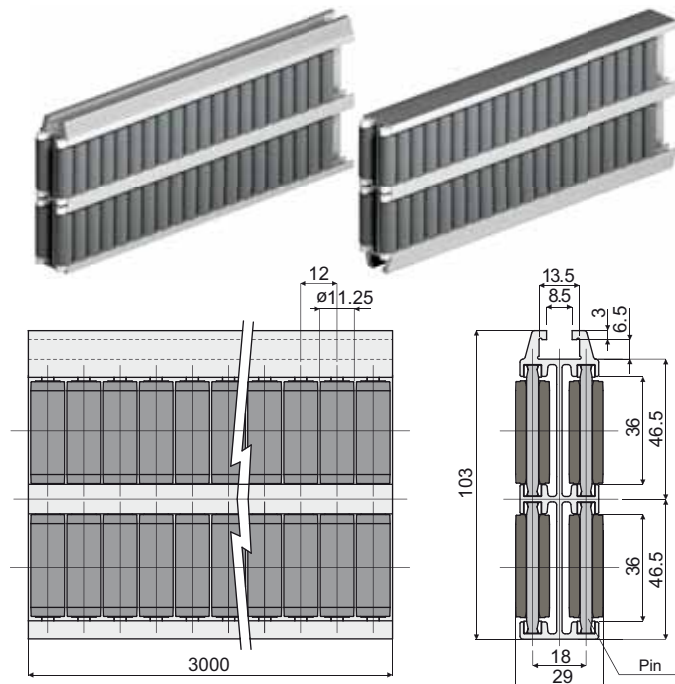
- Roller central guide: Other colours.

Example of application



## Roller central guide (double type, with cylinders)

Part. **328**



Pin in acetal resin	Pin in stainless steel AISI 304
Code	Code
328 / 83006	328 / 84556

**MATERIALS:** Roller central guide with metal profile in anodized aluminium; rollers in polyamide grey colour; support pins in acetal resin white colour or stainless steel AISI 304.

**FEATURES:** Supplied already assembled, in bars of 3 meters length.  
Min. curvature radius: 750 mm.

**BOX QUANTITY:** 2 bars of 3 meters (total 6 meters).

**ON REQUEST:**

- Roller central guide: Other colours.