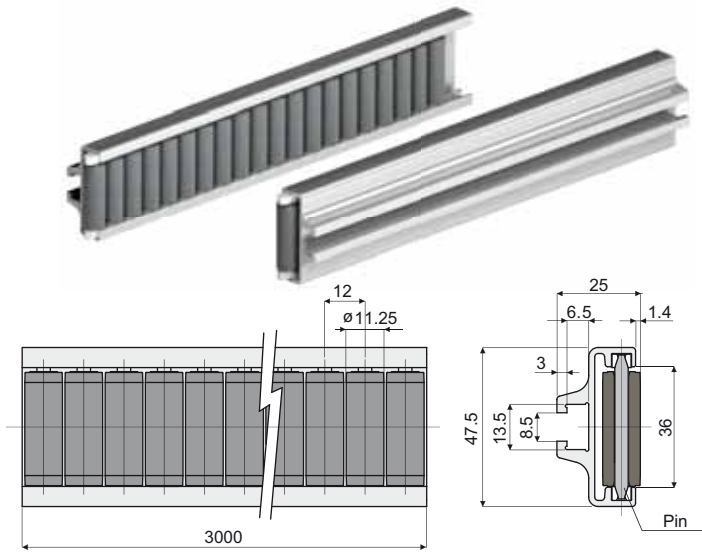


Product guides and accessories

Part. 325 Roller side guide (single type, with cylinders)



Pin in acetal resin	Pin in stainless steel AISI 304
Code	Code
325 / 83003	325 / 84552

MATERIALS: Roller side guide with metal profile in anodized aluminium; rollers in polyamide grey colour; support pins in acetal resin white colour or stainless steel AISI 304.

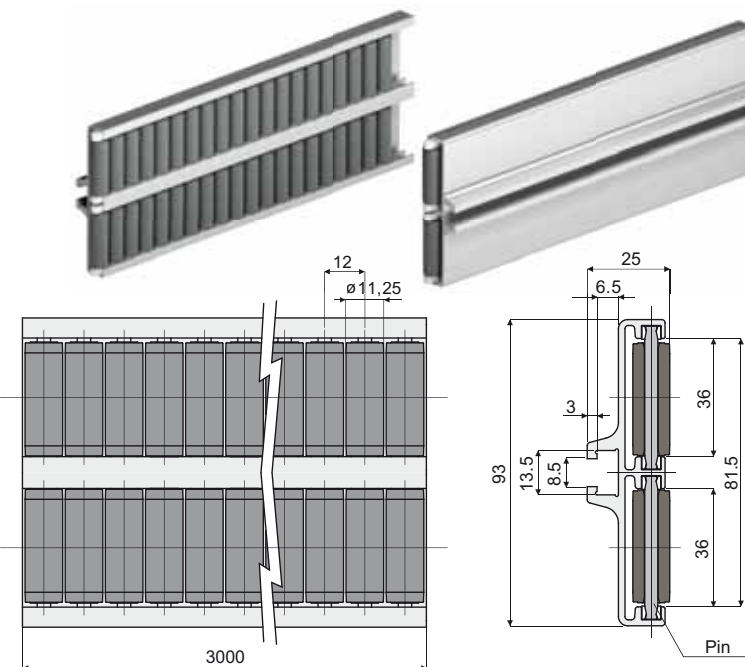
FEATURES: Supplied already assembled, in bars of 3 meters length. Min. curvature radius: 250 mm.

BOX QUANTITY: 2 bars of 3 meters (total 6 meters).

ON REQUEST:

- Roller side guide: Other colours.

Part. 326 Roller side guide (double type, with cylinders)



Pin in acetal resin	Pin in stainless steel AISI 304
Code	Code
326 / 83004	326 / 84553

MATERIALS: Roller side guide with metal profile in anodized aluminium; rollers in polyamide grey colour; support pins in acetal resin white colour or stainless steel AISI 304.

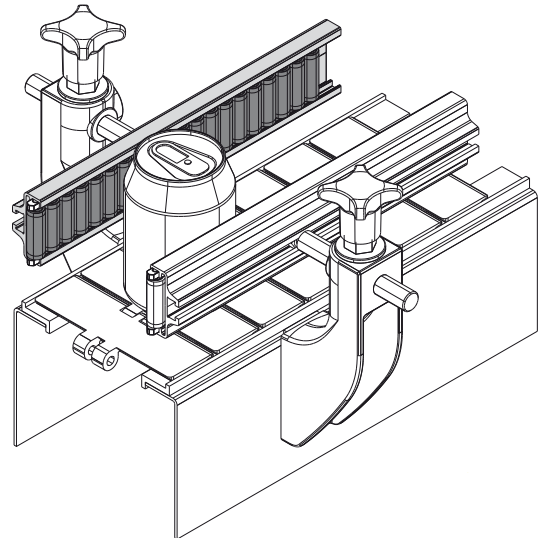
FEATURES: Supplied already assembled, in bars of 3 meters length. Min. curvature radius: 500 mm.

BOX QUANTITY: 2 bars of 3 meters (total 6 meters).

ON REQUEST:

- Roller side guide: Other colours.

Example of application



Example of application

