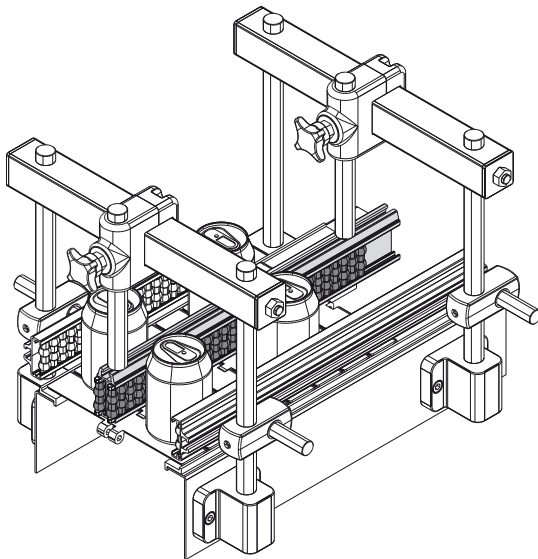


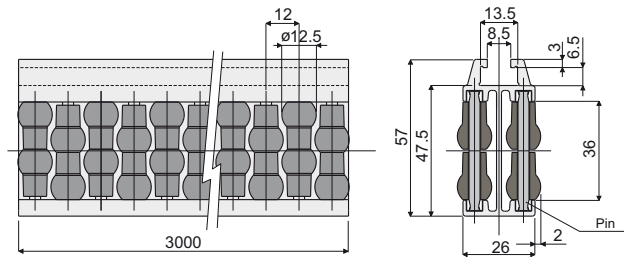
Product guides and accessories

Example of application



Roller central guide (single type, with pearls)

Part. **308**



| Pin in acetal resin | Pin in stainless steel AISI 304 |
|---------------------|---------------------------------|
| Code | Code |
| 308 / 82811 | 308 / 84550 |

MATERIALS: Roller central guide with metal profile in anodized aluminium; rollers in polyamide grey colour; support pins in acetal resin white colour or stainless steel AISI 304.

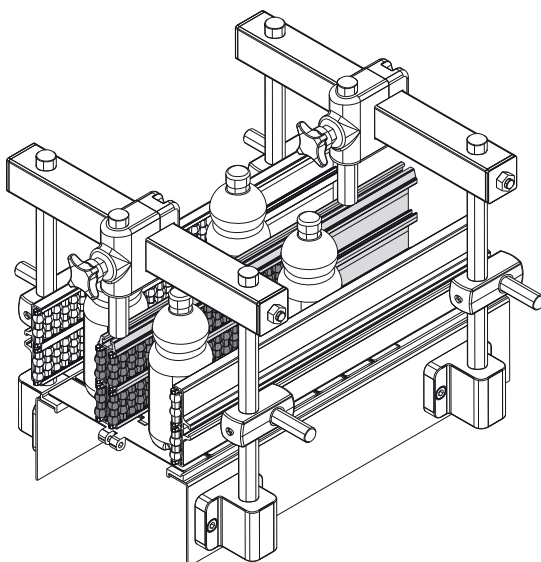
FEATURES: Supplied already assembled, in bars of 3 meters length.
Min. curvature radius: 500 mm.

BOX QUANTITY: 2 bars of 3 meters (total 6 meters).

ON REQUEST:

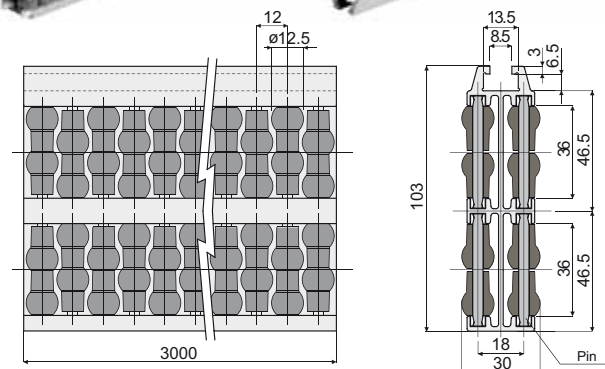
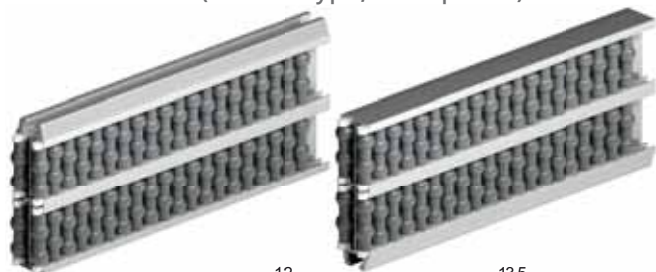
- Roller central guide: Other colours.

Example of application



Roller central guide (double type, with pearls)

Part. **319**



| Pin in acetal resin | Pin in stainless steel AISI 304 |
|---------------------|---------------------------------|
| Code | Code |
| 319 / 82916 | 319 / 84551 |

MATERIALS: Roller central guide with metal profile in anodized aluminium; rollers in polyamide grey colour; support pins in acetal resin white colour or stainless steel AISI 304.

FEATURES: Supplied already assembled, in bars of 3 meters length.
Min. curvature radius: 750 mm.

BOX QUANTITY: 2 bars of 3 meters (total 6 meters).

ON REQUEST:

- Roller central guide: Other colours.