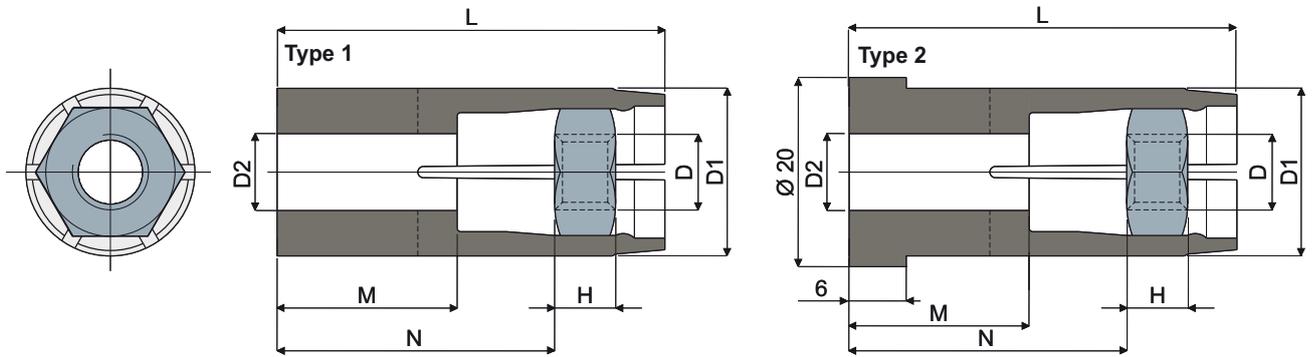
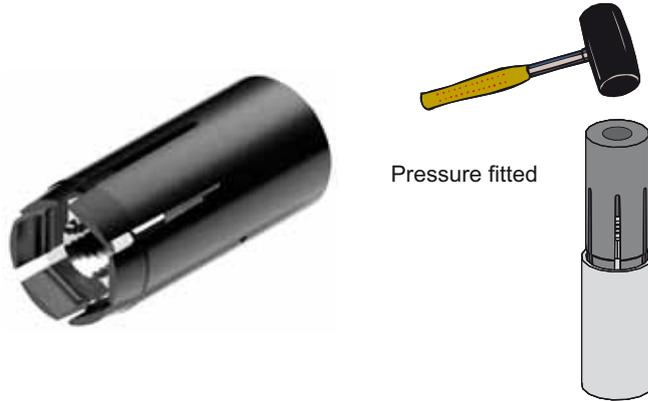


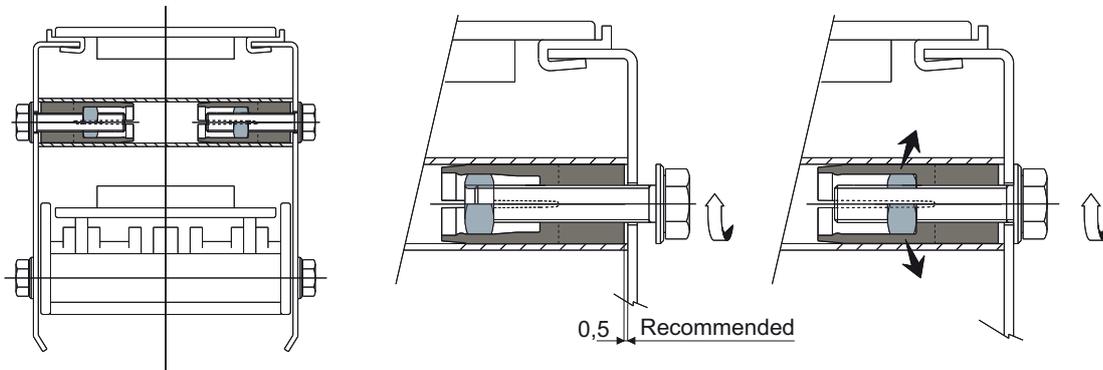
# Bushings

## Expansion plugs

Part. **283**



### Example of application



Tube dimensions										Type 1
Outside (mm)	Thickness (mm)	Inside (mm)	D (mm)	D1 (mm)	D2 (mm)	H (mm)	L (mm)	M (mm)	N (mm)	Code
20	1,5	17	M8	17	8,5	6,5	40	18	28	283 / 82579
25	1,5	22	M10	22	10,5	8	51	23	36	283 / 82505

Tube dimensions										Type 2
Outside (mm)	Thickness (mm)	Inside (mm)	D (mm)	D1 (mm)	D2 (mm)	H (mm)	L (mm)	M (mm)	N (mm)	Code
20	1,5	17	M8	17	8,5	6,5	40	19	29	283 / 82664

**MATERIALS:** Plug made of reinforced polyamide black colour; nut made of stainless steel AISI 304.

**FEATURES:** Supplied assembled. To be assembled in the conveyor flanks.

**BOX QUANTITY:** 48 pieces.

**ON REQUEST:**

- Plugs: Special thickness tube.
- Box Quantity: According to your request.