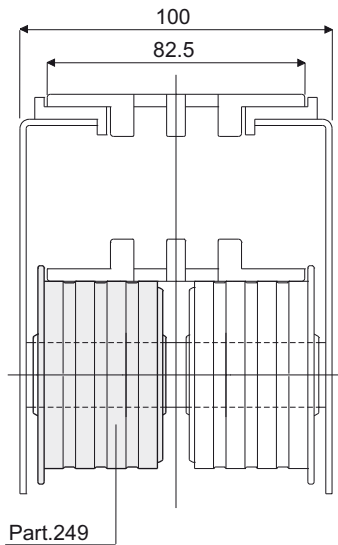


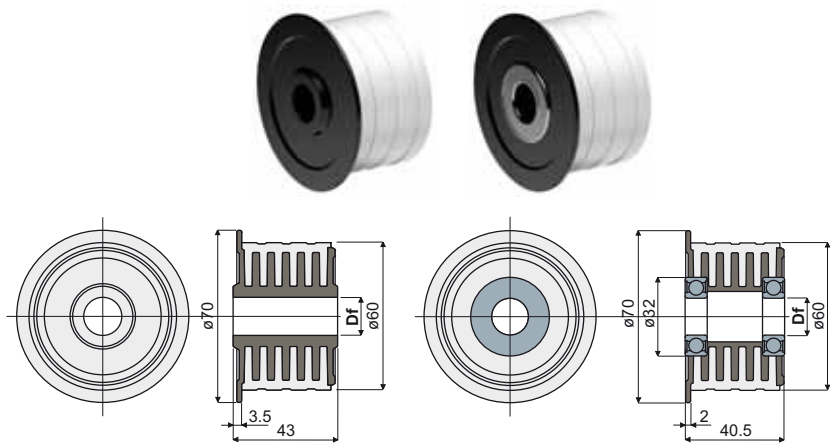
# Return rollers

Example of application



## Roller with rubber for chain return (with flange)

Part. **249**



Df Bore for pin of (mm)	Type 1 (without bearings) Code	Type 2 (with bearings) Code	Bearing type
15	249 / 82021	249 / 83642	6002-ZZ
16	249 / 82022	-	
18	249 / 82023	-	
20	249 / 82024	-	

**MATERIALS:** Internal part is made of polyamide black colour; external rubber is made of PVC grey colour 65 shore; bearing made of chrome steel.

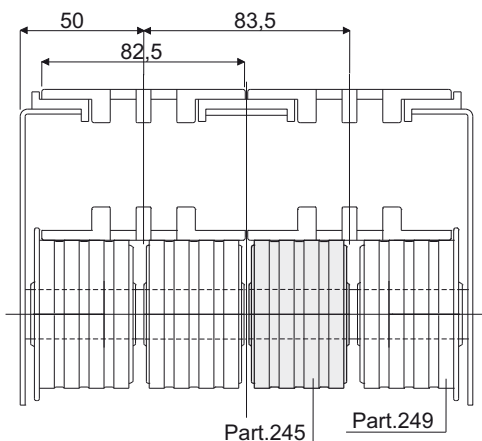
**FEATURES:** This roller is completely closed, total lack of internal cavities to obtain the maximum level of cleanability and noiselessness during working operations.

**BOX QUANTITY:** 48 pieces.

**ON REQUEST:**

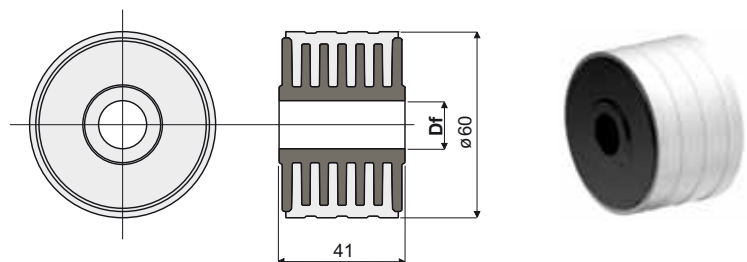
- Rollers: Special bores, other colours.
- Box Quantity: According to your request.

Example of application



## Roller with rubber for chain return (without flange)

Part. **245**



Df Bore for pin of (mm)	Code
12	245 / 84180
15	245 / 82017
16	245 / 82018
18	245 / 82019
20	245 / 82020

**MATERIALS:** Internal part is made of polyamide black colour; external rubber is made of PVC grey colour 65 shore.

**FEATURES:** This roller is completely closed, total lack of internal cavities to obtain the maximum level of cleanability and noiselessness during working operations.

**BOX QUANTITY:** 48 pieces.

**ON REQUEST:**

- Rollers: Special bores, other colours.
- Box Quantity: According to your request.