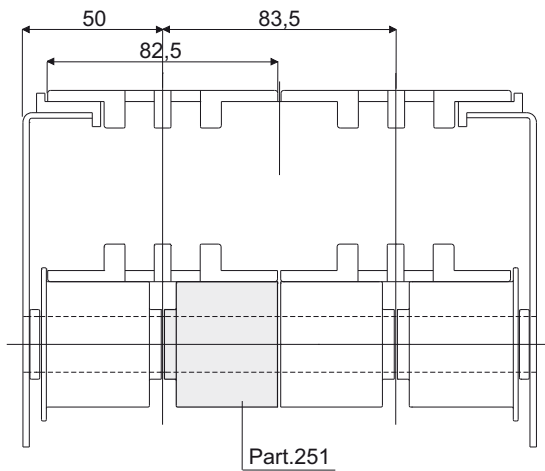


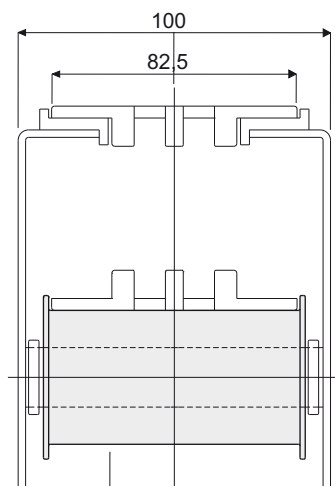
# Return rollers

Example of application



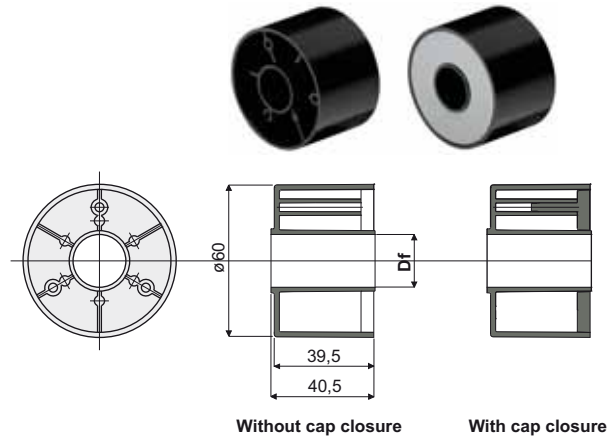
Part.251

Example of application



Part.296

## Roller for chain return (without flange) Part. 251



Without cap closure

With cap closure

Df Bore for pin of (mm)	Without cap closure	With cap closure
	Code	Code
15	251 / 82205	251 / 82223
16	251 / 82206	251 / 82224
18	251 / 82207	251 / 82225
20	251 / 82208	251 / 82226

**MATERIALS:** Roller made out of polyamide black colour; cap made out of polyamide grey colour.

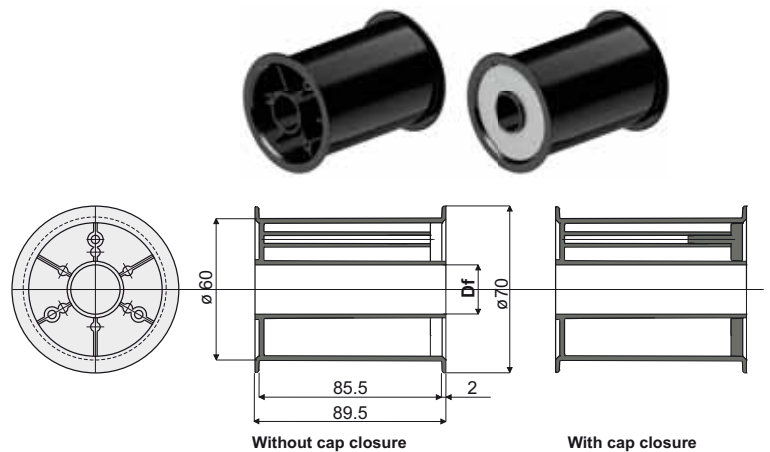
**FEATURES:** To be assembled in the chain return.

**BOX QUANTITY:** 96 pieces.

**ON REQUEST:**

- Rollers: Special bores, other colours.
- Box Quantity: According to your request.

## Roller for chain return (with double flange) Part. 296



Without cap closure

With cap closure

Df Bore for pin of (mm)	Without cap closure	With cap closure
	Code	Code
12	296 / 82611	296 / 82612
14	296 / 82613	296 / 82614
15	296 / 82615	296 / 82616
16	296 / 82617	296 / 82618
18	296 / 82619	296 / 82620
20	296 / 82621	296 / 82622

**MATERIALS:** Roller made out of polyamide black colour; cap made out of polyamide grey colour.

**FEATURES:** To be assembled in the chain return.

**BOX QUANTITY:** 48 pieces.

**ON REQUEST:**

- Rollers: Special bores, other colours.
- Box Quantity: According to your request.