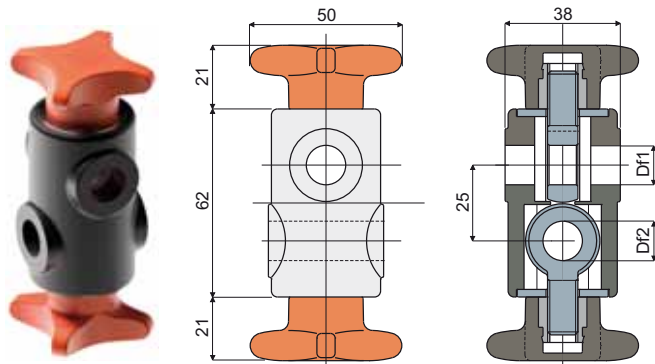


Clamps

Part. 297 Cross block



Df1 Bore for pin of (mm)	Df2 Bore for pin of (mm)	Code
12	12	297 / 82658

MATERIALS: Housing in reinforced polyamide black colour and knob in reinforced polyamide orange colour; eyebolts in stainless steel AISI 304; threaded insert in nickel plated brass.

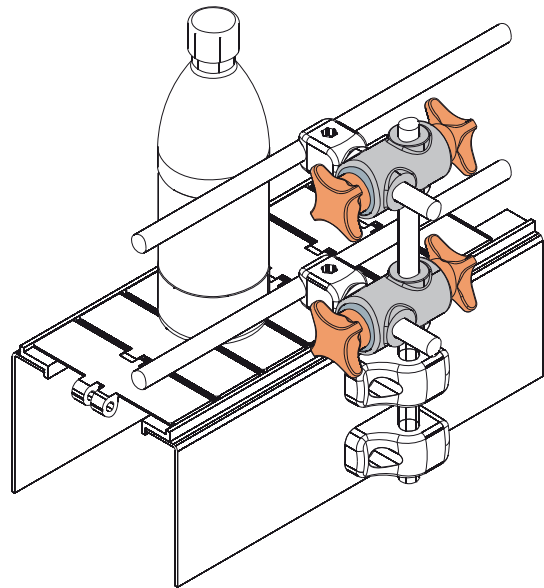
FEATURES: To be used to support the rail-holder pins.

BOX QUANTITY: 24 pieces.

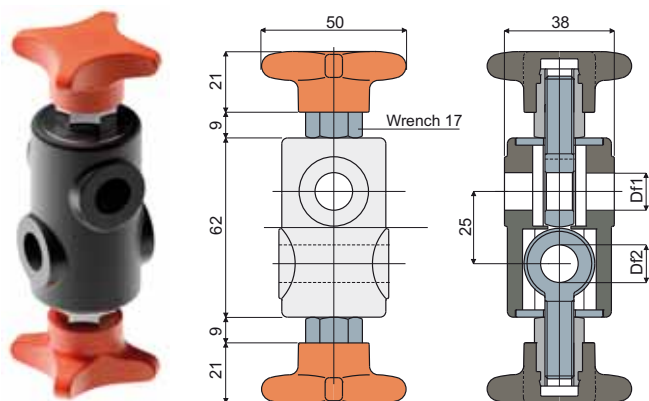
ON REQUEST:

- Housings and Knobs: in reinforced polypropylene, other colours.
- Box Quantity: According to your request.

Example of application



Part. 312 Cross block



Df1 Bore for pin of (mm)	Df2 Bore for pin of (mm)	Code
12	12	312 / 82845
14	14	312 / 82846
16	16	312 / 82847

MATERIALS: Housing in reinforced polyamide black colour and knob in reinforced polyamide orange colour; eyebolts in stainless steel AISI 304; threaded insert in nickel plated brass.

FEATURES: To be used to support the rail-holder pins.

BOX QUANTITY: 24 pieces.

ON REQUEST:

- Housings and Knobs: in reinforced polypropylene, other colours.
- Box Quantity: According to your request.

Example of application

