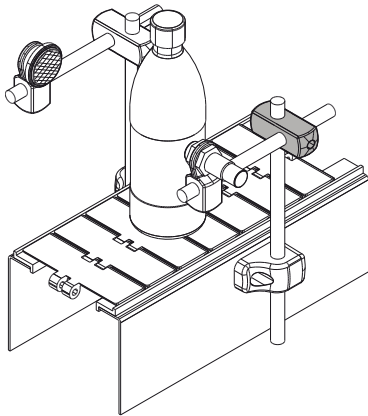
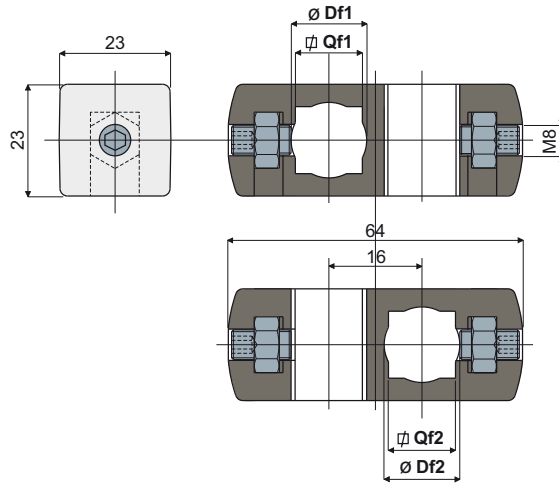


Clamps

Example of application



Cross clamp Part. 239



Bore for pin of		Bore for pin of		Code
Df1 round (mm)	Qf1 square (mm)	Df2 round (mm)	Qf2 square (mm)	
10	8	10	8	239 / 80993
12	10	12	10	239 / 80994
14	12	14	12	239 / 80995

MATERIALS: Clamp made of reinforced polyamide black colour; screws and nuts made of stainless steel AISI 304.

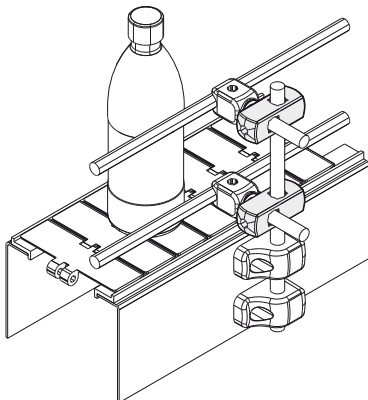
FEATURES: This part can be used with round and square pins either.

BOX QUANTITY: 24 pieces.

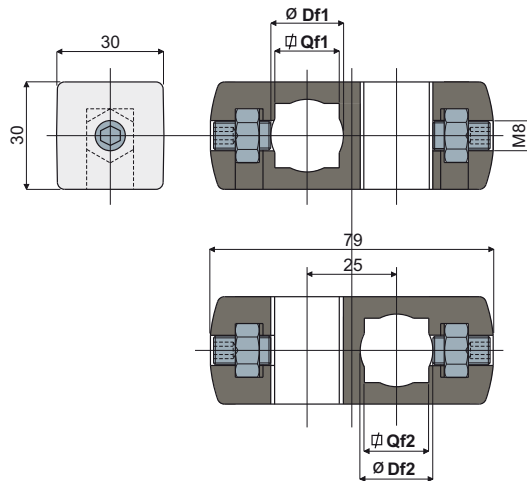
ON REQUEST:

- Clamps: With different bores sizes, in reinforced polypropylene, other colours.
- Box Quantity: According to your request.

Example of application



Cross clamp Part. 241



Bore for pin of		Bore for pin of		Code
Df1 round (mm)	Qf1 square (mm)	Df2 round (mm)	Qf2 square (mm)	
14	12	14	12	241 / 80988
15	-	15	-	241 / 80989
16	-	16	-	241 / 80990
18	-	18	-	241 / 80991
20	-	20	-	241 / 80992

MATERIALS: Clamp made of reinforced polyamide black colour; screws and nuts made of stainless steel AISI 304.

FEATURES: This part can be used with round and square pins either, only in the version Df1 14.

BOX QUANTITY: 24 pieces.

ON REQUEST:

- Clamps: With different bores sizes, in reinforced polypropylene, other colours.
- Box Quantity: According to your request.