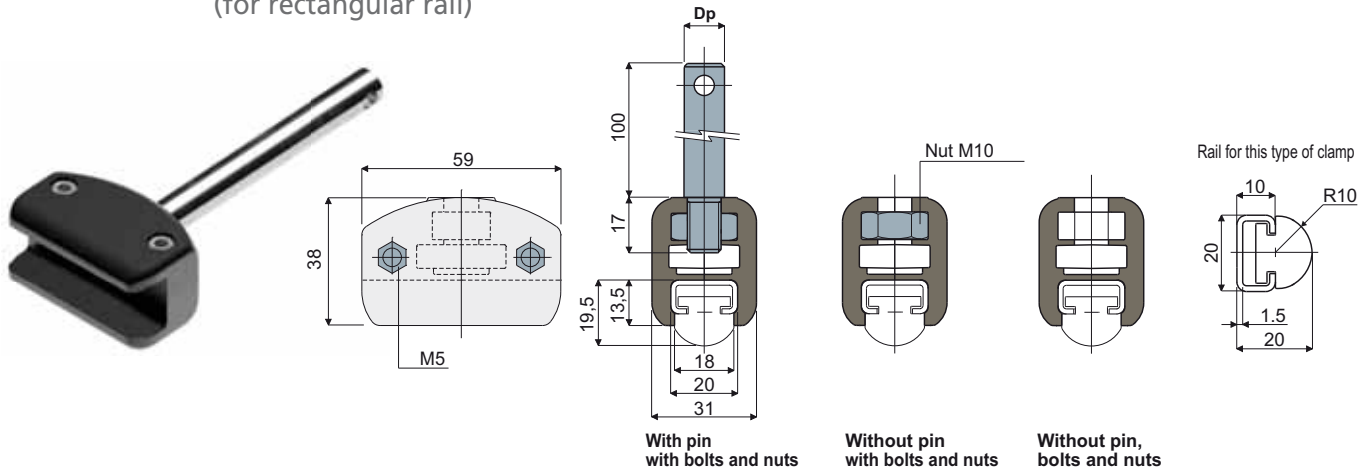


# Guide rail clamps

## Part. 290 Guide rail clamp (for rectangular rail)



Dp Pin diameter (mm)	With pin with bolts and nuts		Without pin with bolts and nuts		Without pin, bolts and nuts	
	Code		Code		Code	
12	290 / 82573					
14	290 / 82574		290 / 82576		290 / 82577	
16	290 / 82575					

**MATERIALS:** Clamp made of reinforced polyamide black colour; pin, screws and nuts made of stainless steel AISI 304.

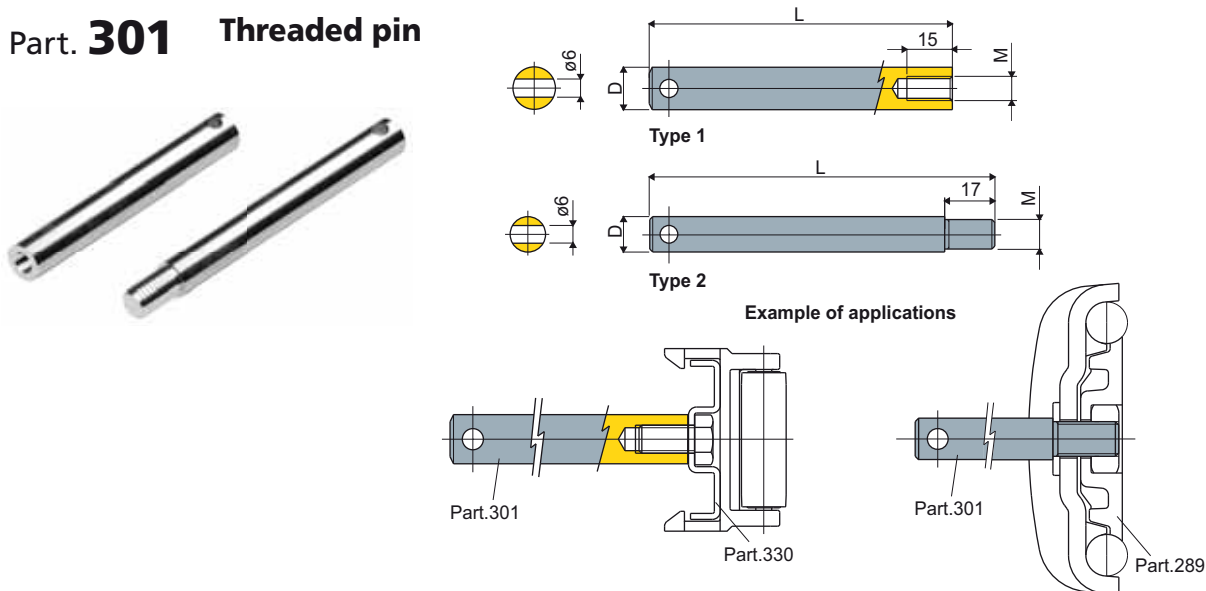
**FEATURES:** Supplied with or without support pin.

**BOX QUANTITY:** 24 pieces.

**ON REQUEST:**

- Clamps: In reinforced polypropylene, other colours.
- Box Quantity: According to your request.

## Part. 301 Threaded pin



D (mm)	L (mm)	M (mm)	Type 1 Code
14	100	M8	301 / 82751

D (mm)	L (mm)	M (mm)	Type 2 Code
12	117	M10	301 / 83304
12	217	M10	301 / 83871
14	117	M10	301 / 83305
16	117	M10	301 / 83306
16	121	M10	301 / 84109

**MATERIALS:** Pin made of stainless steel AISI 304.

**FEATURES:** Type 1: can be mounted both on guide rail clamps or on side guides;

Type 2: used for the mounting of Part. 289, 229, 230, 290, 204, 205.

**BOX QUANTITY:** 24 pieces.

**ON REQUEST:**

- Pins: In various lengths.
- Box Quantity: According to your request.