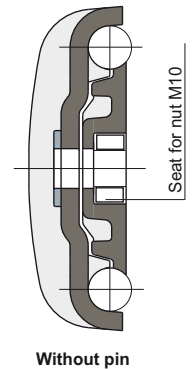
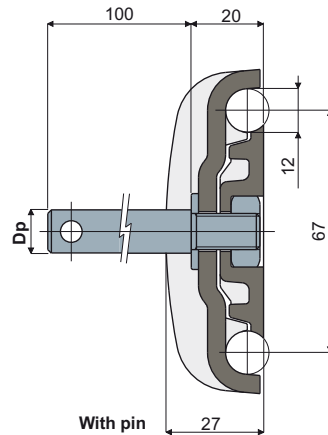
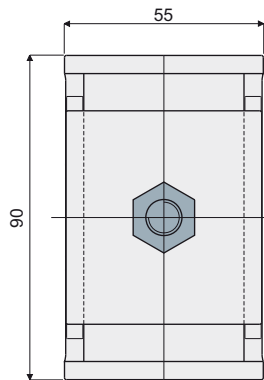


Guide rail clamps

Part. 229 Guide rail clamp (for round rails)



Dp Pin diameter (mm)	With pin Code	Without pin Code
12	229 / 80681	
14	229 / 80682	229 / 80609
16	229 / 80683	

MATERIALS: Clamp made of reinforced polyamide black colour; pin, nut and washer made of stainless steel AISI 304.

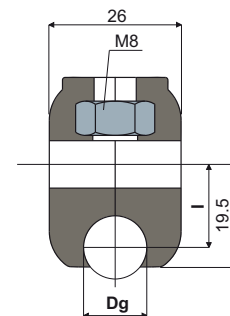
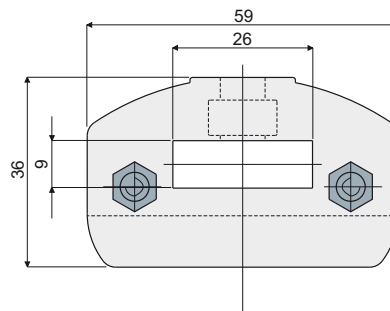
FEATURES: Supplied with or without support pin.

BOX QUANTITY: 24 pieces.

ON REQUEST:

- Clamps: In reinforced polypropylene, other colours.
- Box Quantity: According to your request.

Part. 231 Guide rail clamp (for round rails)



Dg Rail diameter (mm)	l (mm)	Code
8	16	231 / 80749
10	15	231 / 80788
12	15	231 / 80687
14	15	231 / 80787

MATERIALS: Clamp made of reinforced polyamide black colour; screws and nuts made of stainless steel AISI 304.

FEATURES: Supplied assembled. To be used with flat support with sizes 25x8 mm.

BOX QUANTITY: 24 pieces.

ON REQUEST:

- Clamps: In reinforced polypropylene, other colours.
- Box Quantity: According to your request.