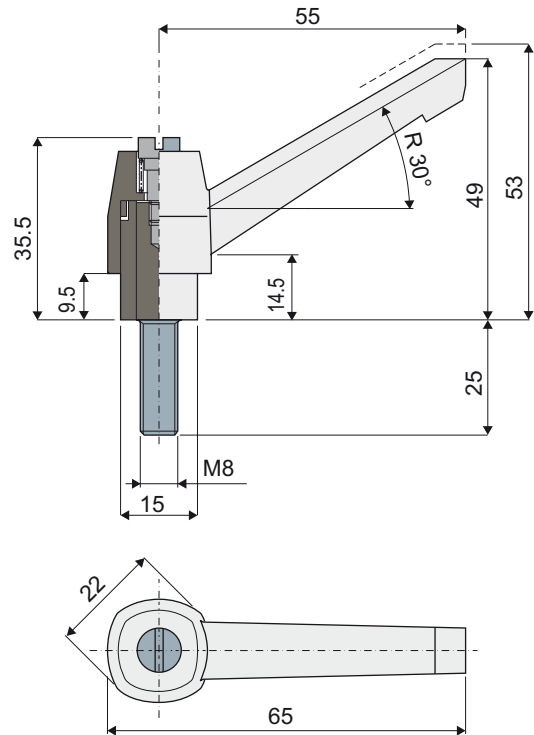


Ratchet handle clamping

Part. 397 Handle clamping



Code
397 / 84260

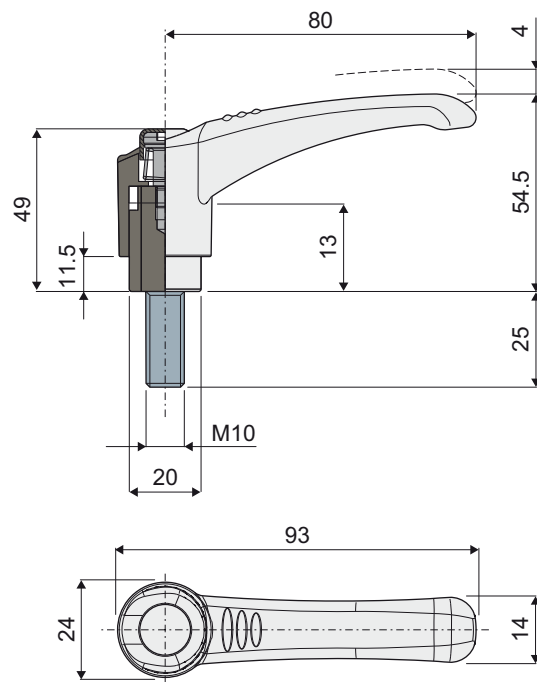
MATERIALS: Handle made of reinforced polyamide black colour; threaded insert made of stainless steel.

BOX QUANTITY: 24 pieces.

ON REQUEST:

- Box Quantity: According to your request.

Part. 400 Handle clamping



Code
400 / 84316

MATERIALS: Handle made of reinforced polyamide black colour with push button in orange colour; threaded insert made of stainless steel.

BOX QUANTITY: 24 pieces.

ON REQUEST:

- Box Quantity: According to your request.